



# INTERPUMPGROUP



I  
GB

ISTRUZIONI D'USO  
INSTRUCTIONS FOR USE

F  
D

MODE D'EMPLOI  
BEDIENUNGSANLEITUNG

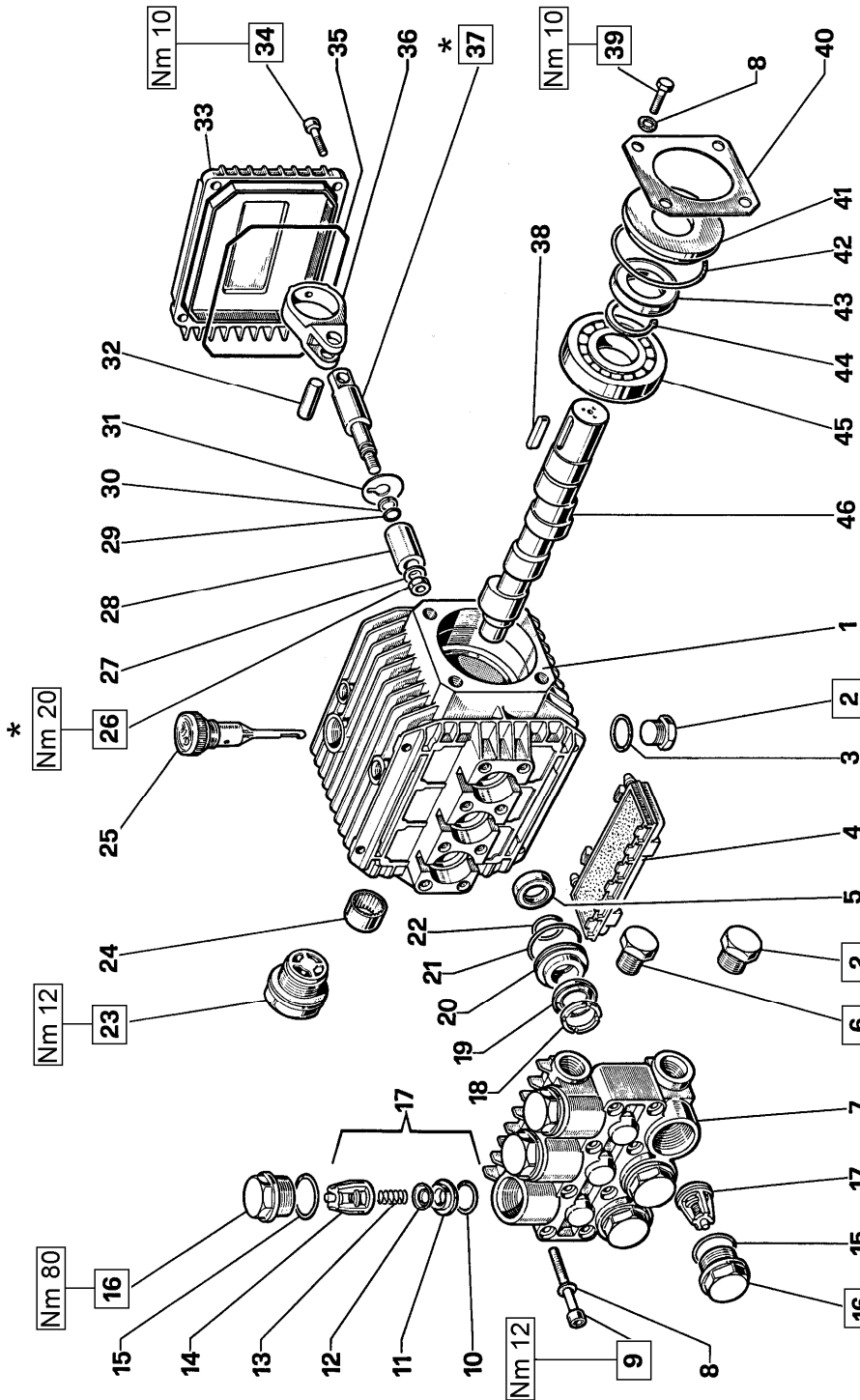
E  
P

INSTRUCCIONES DE USO  
INSTRUÇÕES DE USO

Questo manuale deve essere letto e compreso in accordo al libretto generico "Istruzioni d'uso e manutenzione".  
 This manual must be read and followed in accordance with the generic "Instructions for Use and Maintenance" booklet.  
 Ce manuel doit être lu et compris en accord avec la notice générale " Mode d'emploi et d'entretien ".  
 Dieses Handbuch ist in Verbindung mit dem allgemeinen Handbuch " Gebrauchs- und Wartungsanleitung " zu lesen und zu verstehen.  
 Este manual debe leerse y comprenderse de acuerdo con el manual general "Instrucciones de uso y mantenimiento".  
 Este manual deve ser lido e interpretado de acordo com o livro genérico "Instruções de uso e manutenção".

| 51                         | Type<br>Type<br>Type<br>Tipo | Flow rate<br>Débit<br>Förderstrom<br>Caudal<br>Portata |      | Pressure<br>Pressione<br>Druck<br>Presion<br>Pressione |      |      | rpm<br>t/m<br>upm<br>r/m<br>g/m | Power<br>Puissance<br>Leistung<br>Potencia<br>Potenza |      | Weight<br>Poids<br>Gewicht<br>Peso<br>Massa |      |     |
|----------------------------|------------------------------|--|------|--|------|------|---------------------------------|---|------|---|------|-----|
|                            |                              | L/min  | gpm  | bar  | MPa  | psi  |                                 | Hp  | kW   | Kg  | lbs  |     |
| S<br>E<br>R<br>I<br>E<br>S | W1507                        | 7  | 1.85 | 150  | 15   | 2175 | 1450                            | 3   | 2.20 | 5.2   | 11.4 | 0.3 |
|                            | W1208                        | 8  | 2.11 | 120  | 12   | 1750 | 1450                            | 2.5   | 1.83 | 5.2   | 11.4 | 0.3 |
|                            | W1210                        | 10   | 2.64 | 120  | 12   | 1750 | 1450                            | 3   | 2.20 | 5.2   | 11.4 | 0.3 |
|                            | W905<br>T9051                | 8  | 2.11 | 70   | 7    | 1015 | 1750                            | 1.5   | 1.10 | 5.2   | 11.4 | 0.3 |
|                            | T1508                        | 8  | 2.11 | 150  | 15   | 2175 | 1750                            | 3   | 2.20 | 5.2   | 11.4 | 0.3 |
|                            | T1209                        | 9  | 2.38 | 120  | 12   | 1750 | 1750                            | 3   | 2.20 | 5.2   | 11.4 | 0.3 |
|                            | T1212                        | 12   | 3.17 | 120  | 12   | 1750 | 1750                            | 4   | 2.94 | 5.2   | 11.4 | 0.3 |
|                            | WW55<br>TT551                | 8  | 2.11 | 50   | 5    | 725  | 2800                            | 1   | 0.73 | 5.2   | 11.4 | 0.3 |
|                            | WW74<br>TT741                | 8  | 2.11 | 70   | 7    | 1015 | 2800                            | 1.5   | 1.10 | 5.2   | 11.4 | 0.3 |
|                            | WW90<br>TT901                | 8  | 2.11 | 90   | 9    | 1300 | 2800                            | 2   | 1.47 | 5.2   | 11.4 | 0.3 |
|                            | WW1508                       | 8  | 2.11 | 150  | 15   | 2175 | 2800                            | 3   | 2.20 | 5.2   | 11.4 | 0.3 |
|                            | WW1509                       | 9  | 2.38 | 150  | 15   | 2175 | 2800                            | 3.5   | 2.57 | 5.2   | 11.4 | 0.3 |
|                            | WW95<br>TT951                | 9.5  | 2.50 | 100  | 10   | 1450 | 2800                            | 2.5   | 1.83 | 5.2   | 11.4 | 0.3 |
|                            | WW1510                       | 10   | 2.64 | 150  | 15   | 2175 | 2800                            | 4   | 2.94 | 5.2   | 11.4 | 0.3 |
|                            | WW56<br>TT561                | 11   | 2.90 | 50   | 5    | 725  | 2800                            | 1.5   | 1.10 | 5.2   | 11.4 | 0.3 |
|                            | WW75<br>TT751                | 11   | 2.90 | 70   | 7    | 1015 | 2800                            | 2   | 1.47 | 5.2   | 11.4 | 0.3 |
|                            | WW93<br>TT931                | 11   | 2.90 | 90   | 9    | 1300 | 2800                            | 2.5   | 1.83 | 5.2   | 11.4 | 0.3 |
|                            | WW1511                       | 11   | 2.90 | 150  | 15   | 2175 | 2800                            | 4.5   | 3.30 | 5.2   | 11.4 | 0.3 |
|                            | WW94<br>TT941                | 13   | 3.43 | 90   | 9    | 1300 | 2800                            | 3   | 2.20 | 5.2   | 11.4 | 0.3 |
|                            | WW1513                       | 13   | 3.43 | 150  | 15   | 2175 | 2800                            | 5   | 3.67 | 5.2   | 11.4 | 0.3 |
| WW906<br>TT9061            | 8                            | 2.11   | 70   | 7  | 1015 | 3400 | 1.5                             | 1.10  | 5.2  | 11.4  | 0.3  |     |
| TT1508                     | 8                            | 2.11   | 150  | 15   | 2175 | 3400 | 3                               | 2.20  | 5.2  | 11.4  | 0.3  |     |
| TT1510                     | 10                           | 2.64   | 150  | 15   | 2175 | 3400 | 4                               | 2.94  | 5.2  | 11.4  | 0.3  |     |
| WW907<br>TT9071            | 10.6                         | 2.80   | 55   | 5.5  | 800  | 3400 | 1.5                             | 1.10  | 5.2  | 11.4  | 0.3  |     |
| TT1511                     | 11                           | 2.90   | 150  | 15   | 2175 | 3400 | 4                               | 2.94  | 5.2  | 11.4  | 0.3  |     |
| TT1512                     | 12                           | 3.17   | 150  | 15   | 2175 | 3400 | 4.5                             | 3.30  | 5.2  | 11.4  | 0.3  |     |
| WW909<br>TT9091            | 13                           | 3.43   | 100  | 10   | 1450 | 3400 | 3.5                             | 2.57  | 5.2  | 11.4  | 0.3  |     |
| TT1513                     | 13                           | 3.43   | 150  | 15   | 2175 | 3400 | 5                               | 3.67  | 5.2  | 11.4  | 0.3  |     |





\* Fissare con Loctite 542 col. ROSSO  
 \* Affix with Loctite 542 col. RED  
 \* Fixer avec de la Loctite 542 couleur ROUGE  
 \* Mit Loctite 542 ROT befestigen  
 \* Fijar con Loctite 542 col. ROJO  
 \* Fixar com Loctite 542 cor. VERMELHA



**WW55 – WW56 – WW74 – WW75**  
**WW90 – WW93 – WW94 – WW95**  
**TT551 – TT561 – TT741 – TT751**  
**TT901 – TT931 – TT941 – TT951**

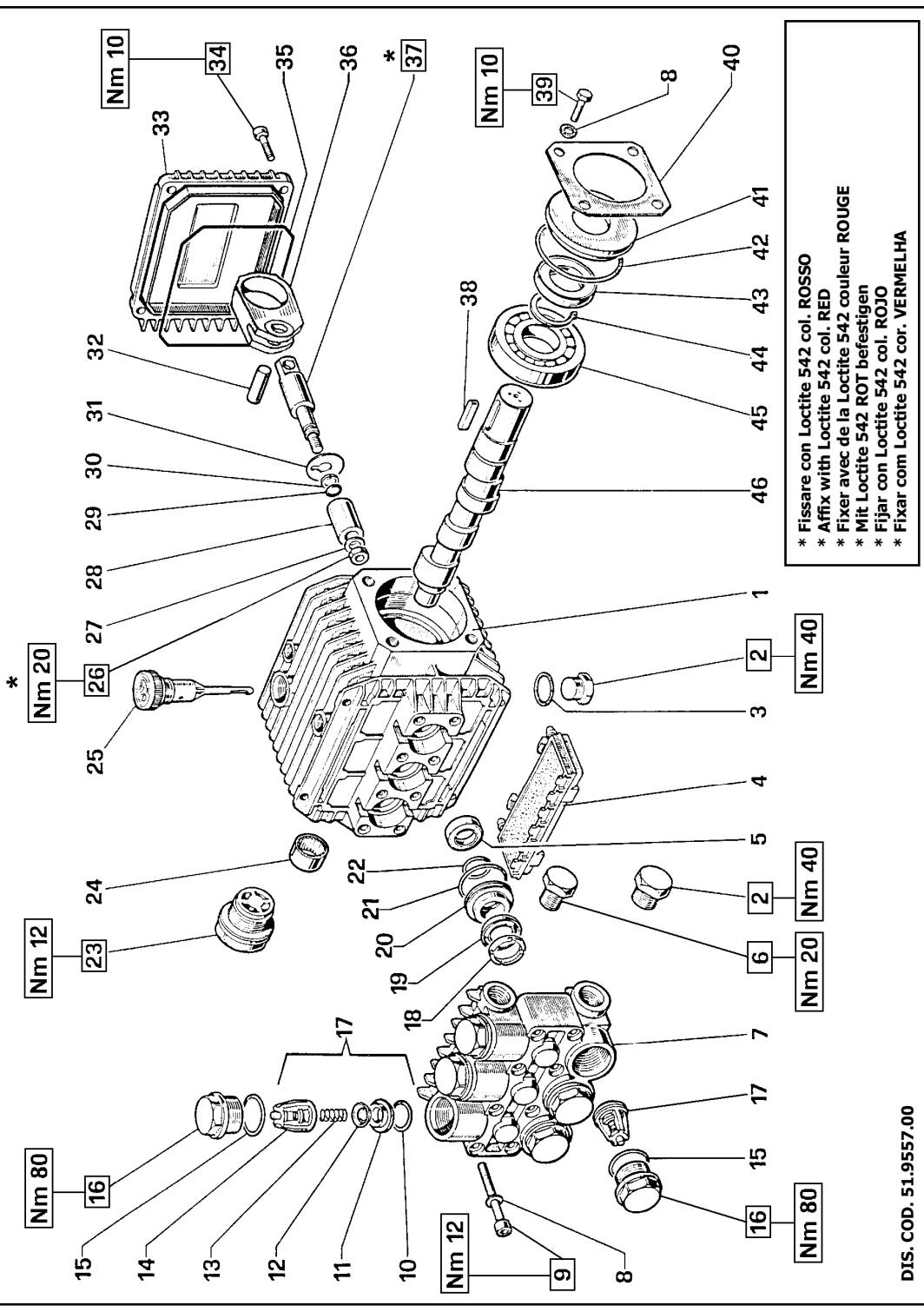
| POS | COD.                     | DESCRIZIONE – DESCRIPTION - KIT       | NR       |
|-----|--------------------------|---------------------------------------|----------|
| 1   | 51.0106.22               | Carter pompa                          | 1        |
| 2   | 98.2100.00               | Tappo G 3/8"x13                       | 2        |
| 3   | 90.3833.00               | OR Ø 13.95x2.62 (3056)                | 2        |
| 4   | 51.2090.51               | Protezione                            | 1        |
| 5   | 90.1565.00               | Anello rad. Ø 15x24x5                 | 83       |
| 6   | 98.2041.00               | Tappo G 1/4"x9                        | 2        |
| 7   | 51.1200.41<br>51.1200.22 | Testata Ø 15<br>Testata Ø 15 - NICKEL | 1<br>1   |
| 8   | 96.6938.00               | Rondella Ø 6.4x10x0.7                 | 8        |
| 9   | 99.1943.00               | Vite M6x40 UNI 5931                   | 8        |
| 10  | 90.3841.00               | OR Ø 17.13x2.62 (3068)                | 1        |
| 11  | 36.2003.66               | Sede valvola                          | 1        |
| 12  | 36.2001.76               | Valvola sferica                       | 1        |
| 13  | 94.7376.00               | Molla Ø 9.4x14.8                      | 1        |
| 14  | 36.2002.51               | Guida valvola123                      | 1        |
| 15  | 90.3847.00               | OR Ø 20.24x2.62 (3081)                | 84       |
| 16  | 98.2218.00               | Tappo M24x1.5x11                      | 84       |
| 17  | 36.7032.01               | Gruppo valvola aspiraz. / mand.       | 1        |
| 18  | 51.1000.51               | Anello di testa Ø 15                  | 96-97    |
| 19  | 90.2620.00               | Anello ten. alt. Ø 15x25x5/3.1        | 96-97    |
| 20  | 51.0800.70               | Anello di fondo Ø 15                  | 86-96    |
| 21  | 90.3604.00               | OR Ø 25.12x1.78 (2100)                | 86-96-97 |

## KIT RICAMBI – SPARE KITS

| KIT Nr.                                   | KIT 1                            | KIT 83 | KIT 84  | KIT 86        | PISTONE – PISTON Ø15     |                    |        |
|---|----------------------------------|--------|---------|---------------|--------------------------|--------------------|--------|
|   |                                  |        |         |               | KIT 96                   | KIT 97             | KIT 97 |
| Posizioni include Positions Included (17) | 10 – 11<br>12 – 13<br>14<br>(17) | 5      | 15 - 16 | 20 - 21<br>22 | 18 - 19<br>20 - 21<br>22 | 18 - 19<br>21 - 22 | 3      |
| Nr. Pes.                                  | 6                                | 3      | 6       | 3             | 1                        | 1                  | 3      |

| POS | COD.       | DESCRIZIONE – DESCRIPTION - KIT | NR       |
|-----|------------|---------------------------------|----------|
| 22  | 90.3835.00 | OR Ø 15.08x2.62 (119)           | 86-96-97 |
| 23  | 97.5968.00 | Spia livello olio               | 1        |
| 24  | 91.8014.00 | Boccola a rullini               | 1        |
| 25  | 98.2103.00 | Tappo carico olio               | 1        |
| 26  | 92.2216.00 | Dado M8x13x5 – INOX             | 3        |
| 27  | 44.2115.70 | Rosetta Ø 8 con collare         | 3        |
| 28  | 51.0400.09 | Pistone Ø 15x25                 | 3        |
| 29  | 90.3573.00 | OR Ø 5.28x1.78 (2021)           | 3        |
| 30  | 90.5022.00 | Anello antiest. Ø 6.2x9x1.5     | 3        |
| 31  | 96.7070.00 | Rosetta Ø 9x23x0.5              | 3        |
| 32  | 97.7310.00 | Spinotto Ø 8x24.5               | 3        |
| 33  | 51.1600.22 | Coperchio posteriore            | 1        |
| 34  | 99.1867.00 | Vite M6x18 UNI 5931             | 4        |
| 35  | 90.3917.00 | OR Ø 88.57x2.62 (3350)          | 1        |
| 36  | 51.0300.22 | Blella                          | 3        |
| 37  | 51.0500.56 | Guida pistone                   | 3        |
| 38  | 91.4877.00 | Linguetta 8x7x25 UNI 6604       | 1        |
| 39  | 99.1807.00 | Vite M6x10 UNI 5937             | 4        |
| 40  | 50.1500.74 | Coperchio carter                | 1        |
| 41  | 50.2115.51 | Distanziale                     | 1        |
| 42  | 90.4097.00 | OR Ø 55.56x3.53 (159)           | 1        |
| 43  | 90.1634.00 | Anello rad. Ø 25x42x7           | 1        |

| POS | COD.                                   | DESCRIZIONE – DESCRIPTION - KIT  | NR          |
|-----|--|--|-------------|
| 44  | 90.0635.00                             | Anello seeger Ø 25   | 1           |
| 45  | 91.8328.00                             | Cuscinetto a sfere 6305  | 1           |
| 46  | 51.0217.65<br>51.0204.65<br>51.0200.65 | Albero - WW95 – TT951<br>Albero - WW94 – TT941<br>Albero - WW55-WW74-WW90<br>TT551-TT741-TT901 | 1<br>1<br>1 |
|     | 51.0201.65                             | Albero - WW56-WW75-WW93<br>TT561-TT751-TT931   | 1           |



\* Fissare con Loctite 542 col. ROSSO  
 \* Affix with Loctite 542 col. RED  
 \* Fixer avec de la Loctite 542 couleur ROUGE  
 \* Mit Loctite 542 ROT befestigen  
 \* Fijar con Loctite 542 col. ROJO  
 \* Fixar com Loctite 542 cor. VERMELHA

DIS. COD. 51.9557.00



**W1507 – WW1508 – WW1509 – WW1510**  
**WW1511 – WW1513 – W1208 – W1210**  
**T1508 – TT1508 – TT1510 – TT1511**  
**TT1512 – TT1513 – TT1209 – T1212**

| PISTONE - PISTON Ø 15                                |                                | PISTONE - PISTON Ø 18 |  |
|--|--------------------------------|-----------------------|--|
| W1507 – WW1508 – WW1509<br>WW1510 - WW1511<br>WW1513 | W1208 – W1210<br>T1209 – T1212 |                       |  |
| T1508 – TT1508 – TT1510<br>TT1511 – TT1512 – TT1513  |                                |                       |  |

| POS | COD.                     | DESCRIZIONE – DESCRIPTION - KIT | NR     |
|-----|--------------------------|---------------------------------|--------|
| 1   | 51.0106.22               | Carter pompa                    | 1      |
| 2   | 98.2100.00               | Tappo G 3/8"x13                 | 2      |
| 3   | 90.3833.00               | OR Ø 13.95x2.62 (3056)          | 2      |
| 4   | 51.2090.51               | Protezione                      | 1      |
| 5   | 90.1565.00               | Anello rad. Ø 15x24x5           | 83     |
| 6   | 98.2041.00               | Tappo G 1/4"x9                  | 2      |
| 7   | 51.1200.41<br>51.1204.41 | Testata Ø 15<br>Testata Ø 18    | 1<br>1 |
| 8   | 96.6938.00               | Rondella Ø 6.4x10x0.7           | 8      |
| 9   | 99.1943.00               | Vite M6x40 UNI 5931             | 8      |
| 10  | 90.3841.00               | OR Ø 17.13x2.62 (3068)          | 123    |
| 11  | 36.2003.66               | Sede valvola                    | 123    |
| 12  | 36.2001.76               | Valvola sferica                 | 123    |
| 13  | 94.7376.00               | Molla Ø 9.4x14.8                | 123    |
| 14  | 36.2025.51               | Guida valvola                   | 123    |
| 15  | 90.3847.00               | OR Ø 20.24x2.62 (3081)          | 157    |
| 16  | 98.2216.00               | Tappo M24x1.5x11.2              | 157    |

## KIT RICAMBI – SPARE KITS

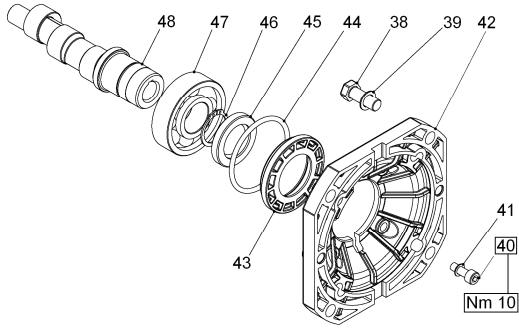
| KIT Nr.                              | KIT 83 | KIT 123                          | KIT 157 | PISTONE - PISTON Ø15 |                                     |                               | PISTONE - PISTON Ø18 |                               |         |
|--------------------------------------|--------|----------------------------------|---------|----------------------|-------------------------------------|-------------------------------|----------------------|-------------------------------|---------|
|                                      |        |                                  |         | KIT 86               | KIT 96                              | KIT 97                        | KIT 139              | KIT 140                       | KIT 141 |
| Posizioni include Positions Included | 5      | 10 - 11<br>12 - 13<br>14<br>(17) | 15 - 16 | 20 - 21<br>22        | 18 - 19<br>20 - 21<br>21 - 22<br>22 | 18 - 19<br>20 - 21<br>21 - 22 | 20 - 21<br>22        | 18 - 19<br>20 - 21<br>21 - 22 |         |
| Nr. Pes.                             | 3      | 6                                | 6       | 3                    | 1                                   | 3                             | 3                    | 1                             | 3       |

| POS | COD.                     | DESCRIZIONE – DESCRIPTION - KIT                                | NR                      |
|-----|--------------------------|--|-------------------------|
| 17  | 36.7115.01               | Gruppo valvola aspiraz. / mand.                                | 123                     |
| 18  | 51.1000.51<br>51.1001.51 | Anello di testa Ø 15<br>Anello di testa Ø 18                   | 96-97<br>140-141        |
| 19  | 90.2620.00<br>90.2681.00 | Anello ten. alt. Ø 15x25x5/3.1<br>Anello ten. alt. Ø 18x26x5/3 | 96-97<br>140-141        |
| 20  | 51.0800.70<br>51.0803.70 | Anello di fondo Ø 15<br>Anello di fondo Ø 18                   | 86-96<br>139-140        |
| 21  | 90.3604.00               | OR Ø 25.12x1.78 (2100)<br>139-140-141                          | 86-96-97                |
| 22  | 90.3835.00<br>90.3843.00 | OR Ø 15.08x2.62 (119)<br>OR Ø 17.86x2.62 (123)                 | 86-96-97<br>139-140-141 |
| 23  | 97.5968.00               | Spia livello olio  | 1                       |
| 24  | 91.8014.00               | Boccola a rullini  | 1                       |
| 25  | 98.2103.00               | Tappo carico olio  | 1                       |
| 26  | 92.2216.00               | Dado M8x13x5 – INOX  | 3                       |
| 27  | 44.2115.70               | Rosetta Ø 8 con collare  | 3                       |
| 28  | 51.0400.09<br>51.0401.09 | Pistone Ø 15x25<br>Pistone Ø 18x25                             | 3<br>3                  |
| 29  | 90.3573.00               | OR Ø 5.28x1.78 (2021)  | 3                       |
| 30  | 90.5022.00               | Anello antiest. Ø 6.2x9x1.5                                    | 3                       |
| 31  | 96.7070.00               | Rosetta Ø 9x23x0.5   | 3                       |
| 32  | 97.7310.00               | Spinotto Ø 8x24.5  | 3                       |
| 33  | 51.1600.22               | Coperchio posteriore   | 1                       |
| 34  | 99.1867.00               | Vite M6x18 UNI 5931  | 4                       |
| 35  | 90.3917.00               | OR Ø 88.57x2.62 (3350)   | 1                       |

| POS | COD.   | DESCRIZIONE – DESCRIPTION - KIT  | NR                         |
|-----|--|--|----------------------------|
| 36  | 51.0301.22   | Biella   | 3                          |
| 37  | 51.0500.56   | Guida pistone  | 3                          |
| 38  | 91.4877.00   | Linguetta 8x7x25 UNI 6604  | 1                          |
| 39  | 99.1807.00   | Vite M6x10 UNI 5937  | 4                          |
| 40  | 50.1500.74   | Coperchio carter   | 1                          |
| 41  | 50.2115.51   | Distanziale  | 1                          |
| 42  | 90.4097.00   | OR Ø 55.56x3.53 (159)  | 1                          |
| 43  | 90.1634.00   | Anello rad. Ø 25x42x7  | 1                          |
| 44  | 90.0635.00   | Anello seeger Ø 25   | 1                          |
| 45  | 91.8328.00   | Cuscinetto a sfere 6305  | 1                          |
| 46  | 51.0217.65<br>51.0204.65<br>51.0200.65<br>51.0201.65<br>51.0206.65<br>51.0224.65 | Albero - W1208 - WW1510 - T1209<br>TT1512<br>Albero - W1210 - W1507 - WW1513<br>T1210 - T1508<br>Albero - WW1508 - TT1510<br>Albero - WW1511 - TT1513<br>Albero - WW1509 - TT1511<br>Albero - TT1508 | 1<br>1<br>1<br>1<br>1<br>1 |

## VERSION A (for electric motors NEMA 56 C)

**W905 – WW906 – WW907  
T9051 – TT9061 – TT9071  
T1209 – T1212 – T1508**

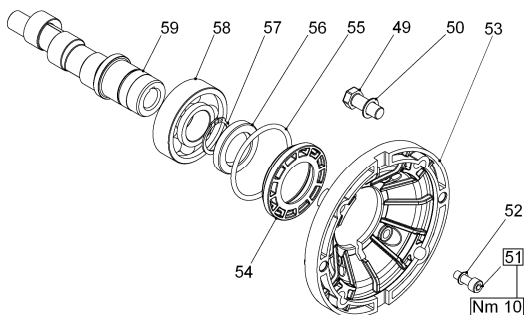


DIS. COD. 51.9517.00

| POS | COD.       | DESCRIZIONE - DESCRIPTION              | NR |
|-----|------------|--|----|
| 38  | 99.3345.00 | Vite 3/8"x16                           | 4  |
| 39  | 96.7104.00 | Rosetta Ø 10,5x16x1                    | 4  |
| 40  | 99.1867.00 | Vite M6x18 UNI 5931                    | 4  |
| 41  | 96.6938.00 | Rosetta Ø 6.4x10x0.7                   | 4  |
| 42  | 10.0344.22 | Flangia per motore elettrico           | 1  |
| 43  | 50.2115.51 | Distanziale                            | 1  |
| 44  | 90.4097.00 | OR Ø 55.56x3.53 (159)                  | 1  |
| 45  | 90.1644.00 | Anello rad. Ø 30x42x7                  | 1  |
| 46  | 90.0667.00 | Anello di fermo albero Ø 30            | 1  |
| 47  | 91.8373.00 | Cuscinetto a sfere 6206                | 1  |
| 48  | 51.0208.65 | Albero – WW906 – TT9061                | 1  |
|     | 51.0209.65 | Albero – WW907 – TT9071                | 1  |
|     | 51.0215.65 | Albero – W905 – T9051 – T1212<br>T1508 | 1  |
|     | 51.0225.65 | Albero – T1209                         | 1  |

## VERSION B (for electric motors IEC 90 B14)

**WW55 – WW56 – WW74 – WW75  
WW90 – WW93 – WW94 – WW95  
W1208 – W1210 – W1507 – WW1508  
WW1510 – WW1511 – WW1513 – TT551  
TT561 – TT741 – TT751 – TT901 – TT931  
TT941 – TT951**

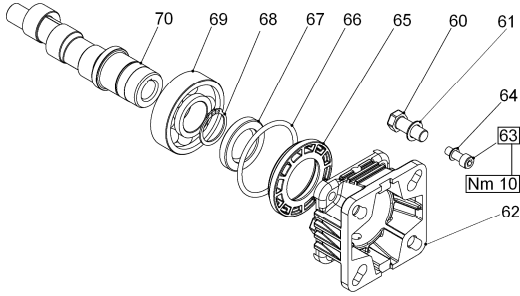


DIS. COD. 51.9518.00

| POS | COD.       | DESCRIZIONE - DESCRIPTION                       | NR |
|-----|------------|---|----|
| 49  | 99.3067.00 | Vite M8x25 UNI 5739                             | 4  |
| 50  | 96.7014.00 | Rosetta Ø 8.4x13x0.8                            | 4  |
| 51  | 99.1867.00 | Vite M6x18 UNI 5931                             | 4  |
| 52  | 96.6938.00 | Rosetta Ø 6.4x10x0.7                            | 4  |
| 53  | 10.0345.22 | Flangia per motore elettrico                    | 1  |
| 54  | 50.2115.51 | Distanziale                                     | 1  |
| 55  | 90.4097.00 | OR Ø 55.56x3.53 (159)                           | 1  |
| 56  | 90.1644.00 | Anello rad. Ø 30x42x7                           | 1  |
| 57  | 90.0667.00 | Anello di fermo Ø 30                            | 1  |
| 58  | 91.8373.00 | Cuscinetto a sfere 6206                         | 1  |
| 59  | 51.0212.65 | Albero – WW55/74/90<br>TT551/741/901 – WW1508   | 1  |
|     | 51.0213.65 | Albero – WW56/75/93<br>TT561/751/631 – WW1511   | 1  |
|     | 51.0214.65 | Albero – WW94 – TT941 – W1210<br>W1507 – WW1513 | 1  |
|     | 51.0216.65 | Albero – WW95 – TT951 – W1208<br>WW1510         | 1  |

# VERSION C (for gasoline engines SAE J 609 type A ext.3)

**WW906 – WW907 – WW909  
TT9061 – TT9071 – TT9091 - TT1508  
TT1510 – TT1511 – TT1512 – TT1513**

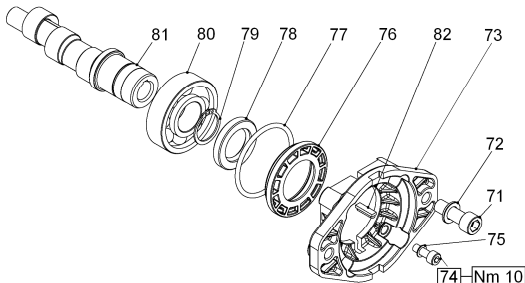


DIS. COD. 51.9519.00

| POS | COD.       | DESCRIZIONE - DESCRIPTION        | NR |
|-----|------------|----------------------------------|----|
| 60  | 99.2730.00 | Vite 5/16"x3/4"x24               | 4  |
| 61  | 96.7014.00 | Rosetta Ø 8.4x13x0.8             | 4  |
| 62  | 10.0346.22 | Flangia per motore a scoppio     | 1  |
| 63  | 99.1867.00 | Vite M6x18 UNI 5931              | 4  |
| 64  | 96.6938.00 | Rosetta Ø 6.4x10x0.7             | 4  |
| 65  | 50.2115.51 | Distanziale                      | 1  |
| 66  | 90.4097.00 | OR Ø 55.56x3.53 (159)            | 1  |
| 67  | 90.1644.00 | Anello rad. Ø 30x42x7            | 1  |
| 68  | 90.0667.00 | Anello di fermo albero Ø 30      | 1  |
| 69  | 91.8373.00 | Cuscinetto a sfere 6206          | 1  |
| 70  | 51.0210.65 | Albero - WW906 – TT9061 – TT1508 | 1  |
|     | 51.0211.65 | Albero - WW907 – TT9071 – TT1511 | 1  |
|     | 51.0218.65 | Albero - WW909 – TT9091 – TT1513 | 1  |
|     | 51.0223.65 | Albero - TT1510                  | 1  |
|     | 51.0221.65 | Albero - TT1512                  | 1  |

# VERSION I (for hydraulic motors SAE J 744 type A – 5/8")

**WW1513**



DIS. COD. 51.9585.00

| POS | COD.       | DESCRIZIONE - DESCRIPTION    | NR |
|-----|------------|------------------------------|----|
| 71  | 99.3686.00 | Vite M10x30 UNI 5931         | 2  |
| 72  | 96.7103.00 | Rosetta Ø 10.5x18x2          | 2  |
| 73  | 10.0763.22 | Flangia per motore idraulico | 1  |
| 74  | 99.1867.00 | Vite M 6x18 UNI 5931         | 4  |
| 75  | 96.6938.00 | Rosetta Ø 6.4x10x0.7         | 4  |
| 76  | 50.2115.51 | Distanziale                  | 1  |
| 77  | 90.4097.00 | OR Ø 55.56x3.53 (159)        | 1  |
| 78  | 90.1644.00 | Anello rad. Ø 30x42x7        | 1  |
| 79  | 90.0667.00 | Anello di fermo albero Ø 30  | 1  |
| 80  | 91.8373.00 | Cuscinetto a sfere 6206      | 1  |
| 81  | 51.0215.65 | Albero - WW1513              | 1  |
| 82  | 91.4685.00 | Linguetta 4/4.8x18           | 1  |

# VH VERSION

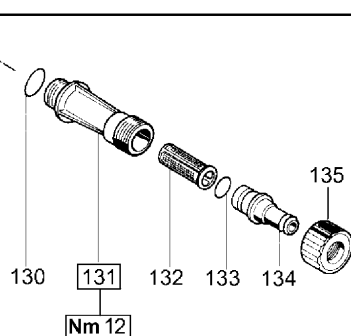
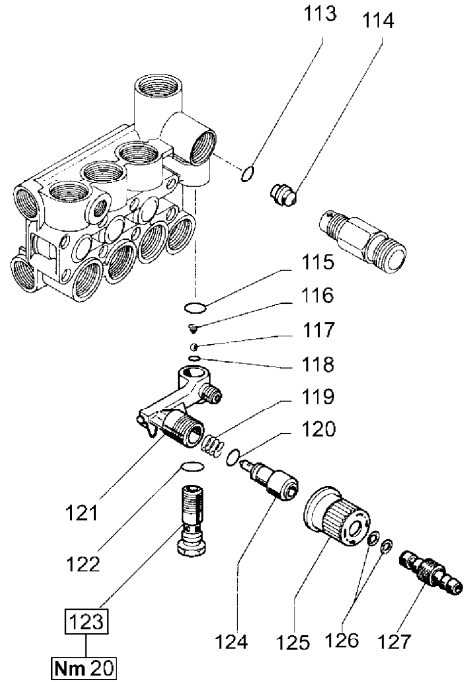
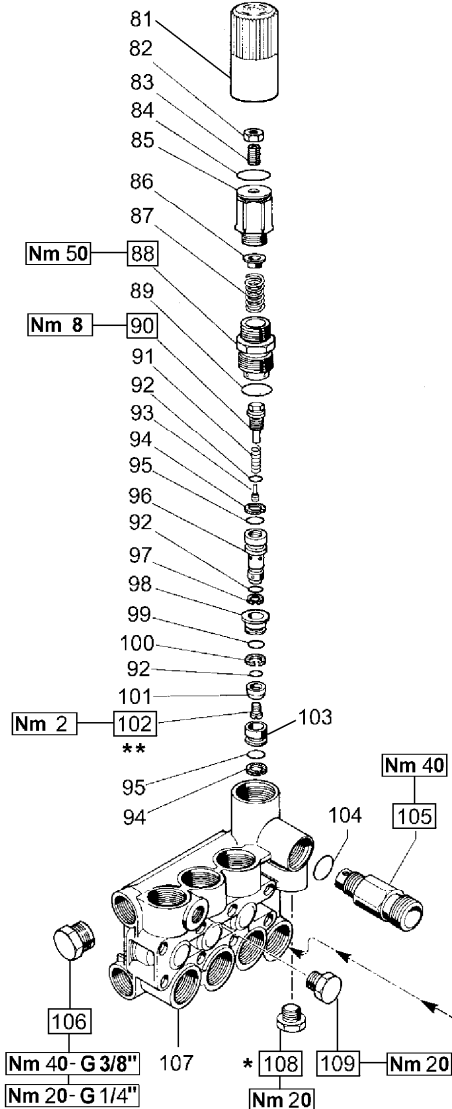
VERSIONE CON VALVOLA DI REGOLAZIONE AUT. – VERSION WITH BUILT-IN AUT. UNLOADER  
 VERSION AVEC RÉGULATEUR AUT. DE PRESSION INCORPORÉ  
 AUSFÜHRUNG MIT EINGEBAUTEM AUT. DRUCKREGULIERVENTIL

VERSIÓN CON REGULADOR AUT. DE PRESIÓN INCORPORADO - VERSÃO COM VÁLVULA DO REGULAMENTO AUT.

- \* Fissare con Loctite 542 col. ROSSO
- \* Affix with Loctite 542 col. RED
- \* Fixer avec de la Loctite 542 couleur ROUGE
- \* Mit Loctite 542 ROT befestigen
- \* Fijar con Loctite 542 col. ROJO
- \* Fixar com Loctite 542 cor. VERMELHA

- \*\* Fissare con Loctite 270 col. VERDE
- \*\* Affix with Loctite 270 col. GREEN
- \*\* Fixer avec de la Loctite 270 couleur VERT
- \*\* Mit Loctite 270 GRÜN befestigen
- \*\* Fijar con Loctite 270 col. VERDE
- \*\* Fixar com Loctite 270 cor. VERDE

## OPTIONALS



DIS. COD. 51.9571.00



# VH VERSION

**VERSIONE CON VALVOLA DI REGOLAZIONE AUT. – VERSION WITH BUILT-IN AUT. UNLOADER  
 VERSION AVEC RÉGULATEUR AUT. DE PRESSION INCORPORÉ  
 AUSFÜHRUNG MIT EINGEBAUTEM AUT. DRUCKREGULIERVENTIL  
 VERSIÓN CON REGULADOR AUT. DE PRESIÓN INCORPORADO - VERSÃO COM VÁLVULA DO REGULAMENTO AUT.**

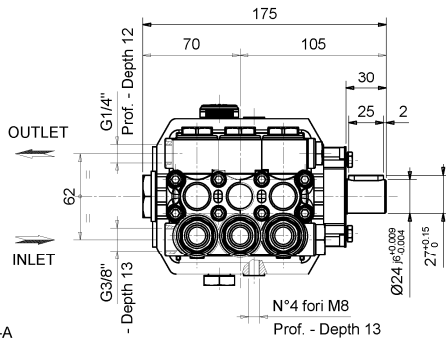
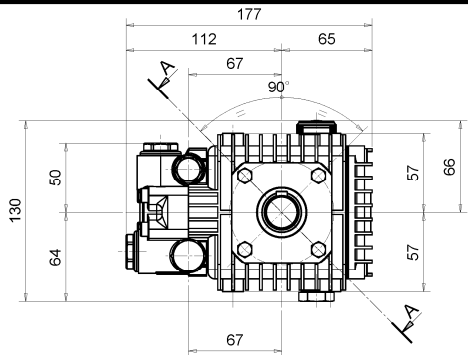
| POS | COD.                                   | DESCRIZIONE – DESCRIPTION - KIT  | N           |
|-----|--|--|-------------|
| 81  | 36.3187.51                             | Pomolo   | 1           |
| 82  | 92.2218.00                             | Dado M8x13 UNI 5589  | 1           |
| 83  | 99.3054.00                             | Vite M8x20 UNI 5923  | 1           |
| 84  | 90.3598.00                             | OR Ø 20.35x1.78 (2081)   | 1           |
| 85  | 36.3185.70                             | Registro pressione   | 1           |
| 86  | 36.3169.70                             | Piattello molla  | 1           |
| 87  | 94.7436.00                             | Molla Ø 15x35  | 1           |
| 88  | 36.3184.70                             | Boccola di guida 102   | 1           |
| 89  | 90.3847.00                             | OR Ø 20.24x2.62 (3081) – 90 Sh. 102  | 1           |
| 90  | 36.3188.70                             | Fine corsa 102   | 1           |
| 91  | 94.7332.00                             | Molla Ø 6.1x19 102   | 1           |
| 92  | 90.3575.00                             | OR Ø 6.75x1.78 (106) 102   | 3           |
| 93  | 36.3331.51                             | Otturatore 102   | 1           |
| 94  | 90.5065.00                             | Anello antiest. Ø 10.6x15x2 102  | 2           |
| 95  | 90.3822.00                             | OR Ø 9.92x2.62 (112) 102   | 2           |
| 96  | 36.3189.70                             | Pistoncino di comando 102  | 1           |
| 97  | 90.5025.00                             | Anello antiest. Ø 7x10x1.5 102   | 1           |
| 98  | 36.3165.70                             | Guida valvola 102  | 1           |
| 99  | 90.3589.00                             | OR Ø 12.42x1.78 (2050) 102   | 1           |
| 100 | 90.5075.00                             | Anello antiest. Ø 13x16x1.5 102  | 1           |
| 101 | 36.3190.66                             | Valvola sferica 102  | 1           |
| 102 | 99.1509.00                             | Vite M5x0.8x8.5 102  | 1           |
| 103 | 36.3164.66                             | Sede valvola 102   | 1           |
| 104 | 90.3832.00                             | OR Ø 13.95x2.62 (3056) 94  | 1           |
| 105 | 10.0147.70<br>10.0078.70<br>70.0318.70 | Nipplo M22x1.5 con Ø 3<br>Nipplo G 3/8" con Ø 3<br>Nipplo 3/8" NPT con Ø 3 - USA | 1<br>1<br>1 |
| 106 | 98.2041.00                             | Tappo G 1/4"x9   | 1           |
| 107 | 51.1201.41<br>51.1205.41               | Testata Ø 15<br>Testata Ø 18   | 1<br>1      |
| 108 | 98.2057.00                             | Tappo M14x1.5  | 1           |
| 109 | 98.2041.00                             | Tappo G 1/4"x9   | 1           |

| OPTIONALS |                          |  |        |
|-----------|--------------------------|--|--------|
| POS       | COD.                     | DESCRIZIONE – DESCRIPTION - KIT                        | N      |
| 113       | 90.3822.00               | OR Ø 9.92x2.62 (112)                                   | 94 1   |
| 114       | 10.0151.66<br>10.0076.66 | Ugello Ø 2 (8-11 l/min.)<br>Ugello Ø2.2 (12-15 l/min.) | 1<br>1 |
| 115       | 90.3582.00               | OR Ø 9.25x1.78 (2037)                                  | 94 1   |
| 116       | 94.8217.00               | Molla conica Ø 4.3/7.6x11                              | 94 1   |
| 117       | 97.4782.00               | Sfera Ø 7/32"  | 94 1   |
| 118       | 90.3572.00               | OR Ø 5.28x1.78 (2021)                                  | 94 1   |
| 119       | 94.7383.00               | Molla Ø 9.75x10  | 94 1   |
| 120       | 90.3580.00               | OR Ø 8.73x1.78 (108)                                   | 94 1   |
| 121       | 36.3181.51               | Corpo dosatore   | 1      |
| 122       | 90.3585.00               | OR Ø 10.82x1.78 (2043)                                 | 94 1   |
| 123       | 36.2563.70               | Sede valvola   | 1      |
| 124       | 36.2564.70               | Otturatore   | 1      |
| 125       | 36.2565.51               | Pomolo   | 1      |
| 126       | 90.3570.00               | OR Ø 4.48x1.78 (2018)                                  | 94 2   |
| 127       | 36.2566.70               | Innesto portagomma                                     | 1      |
| 130       | 90.3841.00               | OR Ø 17.13x2.62 (3068)                                 | 1      |
| 131       | 36.3182.51               | Nipplo aspirazione G 3/4"                              | 1      |
| 132       | 92.8925.00               | Filtro   | 1      |
| 133       | 90.3828.00               | OR Ø 12.37x2.62 (3050)                                 | 1      |
| 134       | 36.2569.70               | Portagomma aspirazione                                 | 1      |
| 135       | 92.9828.00               | Ghiera G 3/4"  | 1      |

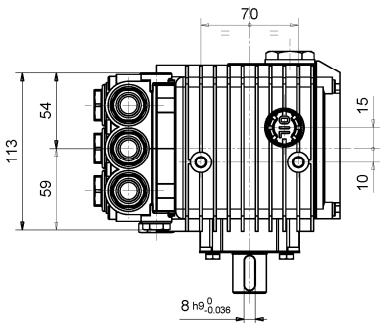
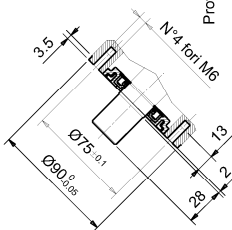
## KIT RICAMBI – SPARE KITS

| KIT NR.   | KIT 94   | KIT 102  |
|---|--|--|
| <b>Posizioni<br/>include<br/>Positions<br/>included</b> | <b>104 – 113 – 115<br/>116 – 117 – 118<br/>119 – 120 – 122<br/>126</b> | <b>88 – 89 – 90<br/>91 – 92 – 93<br/>94 – 95 – 96<br/>97 – 98 – 99<br/>100 – 101<br/>102 – 103</b> |
| <b>Nr. Pcs.</b>   | <b>1 – 2</b>   | <b>1 - 3</b>   |

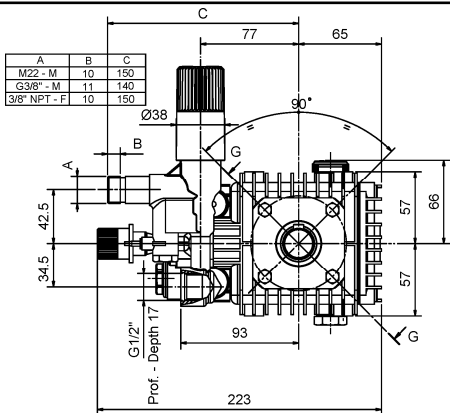
**DIMENSIONI D'INGOMBRO – OVERALL DIMENSIONS – DIMENSIÕES D'ENCOMBREMENT  
RAUMBEDARF – DIMENSIONES TOTALES – DIMENSÕES**



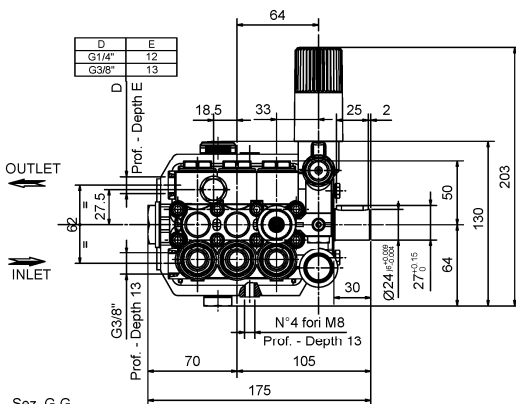
Sez. A-A



**COD. DIS. 51.2145.00**

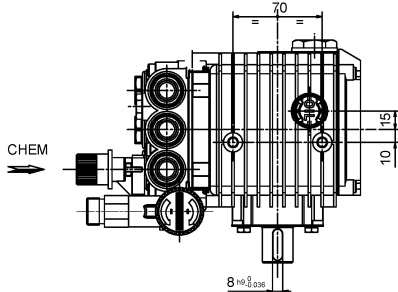
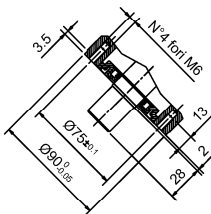


| A            | B  | C   |
|--------------|----|-----|
| M22 - M      | 10 | 150 |
| G3/8" - M    | 11 | 140 |
| 3/8" NPT - F | 10 | 150 |



| D     | E  |
|-------|----|
| G1/4" | 12 |
| G3/8" | 13 |

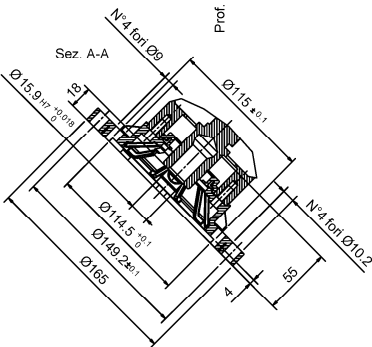
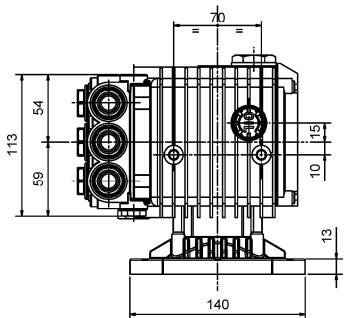
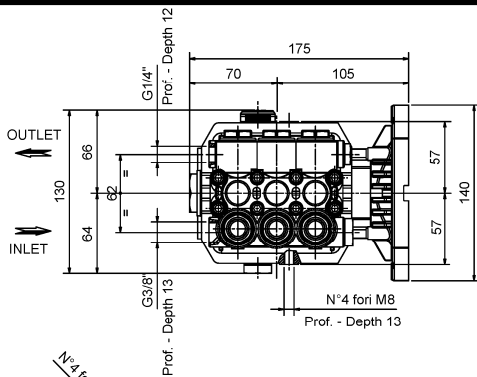
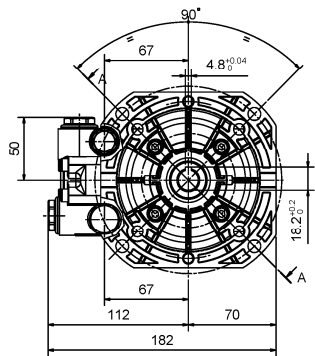
Sez. G-G



**COD. DIS. 51.2149.00**

**VH VALVE**

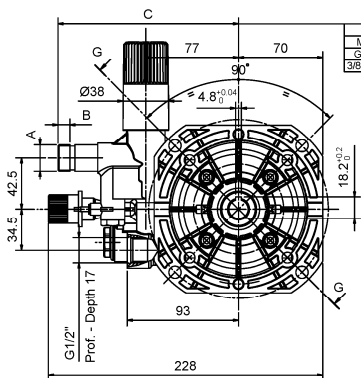
**DIMENSIONI D'INGOMBRO – OVERALL DIMENSIONS – DIMENSIONS D'ENCOMBREMENT  
RAUMBEDARF – DIMENSIONES TOTALES – DIMENSÕES**



**W905 – T9051  
T1508  
T1209  
T1212  
WW906 – TT9061  
WW907 – TT9071**

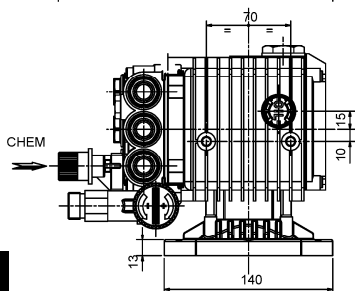
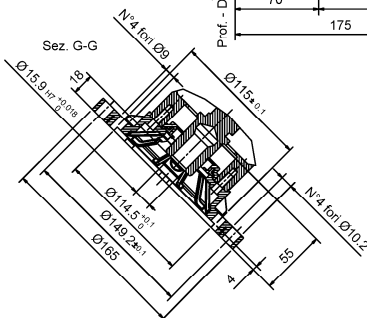
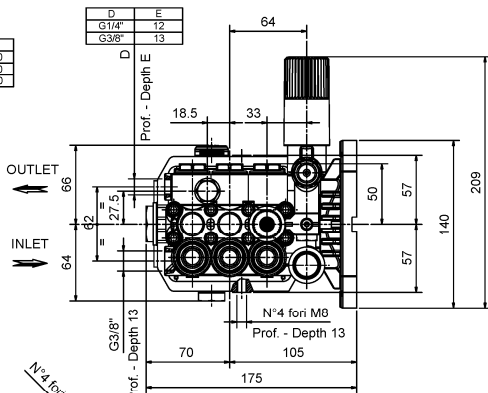
**COD. DIS. 51.2146.00**

**A**



|              | A  | B   | G |
|--------------|----|-----|---|
| M22 - M      | 10 | 150 |   |
| G3/8" - M    | 11 | 140 |   |
| 3/8" NPT - F | 10 | 150 |   |

| D     | E  |
|-------|----|
| G1/4" | 12 |
| G3/8" | 13 |

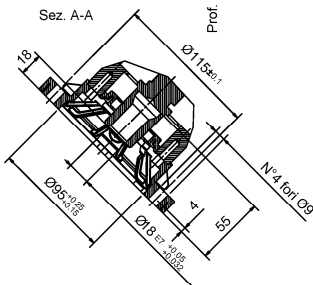
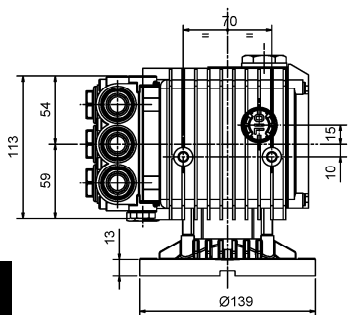
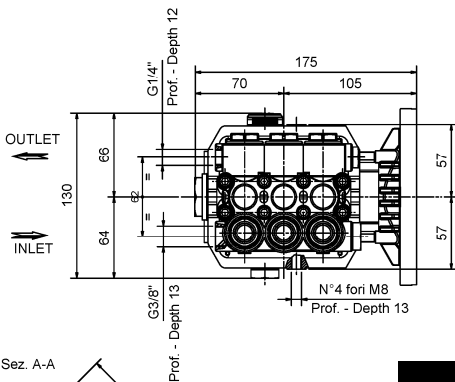
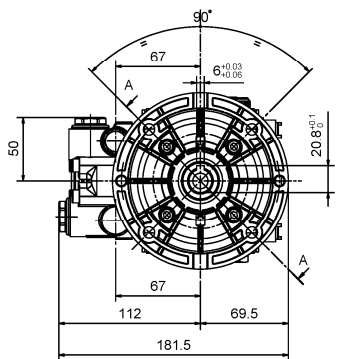


**COD. DIS. 51.215300**

**VH VALVE**

**A**

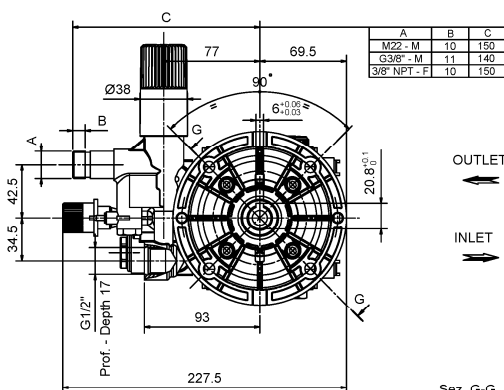
**DIMENSIONI D'INGOMBRO – OVERALL DIMENSIONS – DIMENSIÕES D'ENCOMBRAMENTO  
RAUMBEDARF – DIMENSIONES TOTALES – DIMENSÕES**



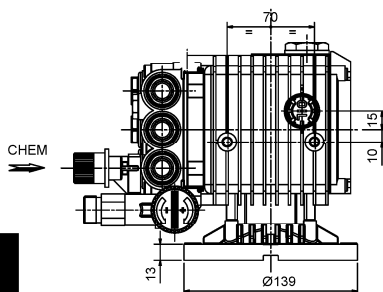
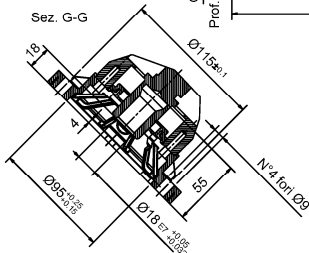
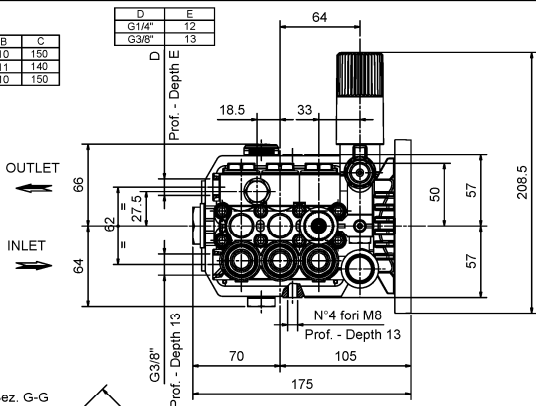
- W1507
- W1208
- W1210
- WW55 – TT551
- WW74 – TT471
- WW90 – TT901
- WW1508
- WW95 – TT951
- WW1510
- WW56 – TT561
- WW75 – TT751
- WW93 – TT931
- WW1511
- WW94 – TT941
- WW1513

**COD. DIS. 51.2147.00**

**B**



| D     | E  |
|-------|----|
| G1/4" | 12 |
| G3/8" | 13 |

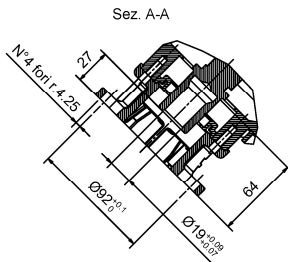
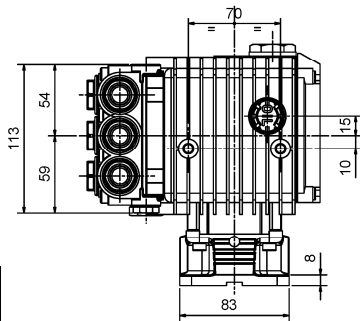
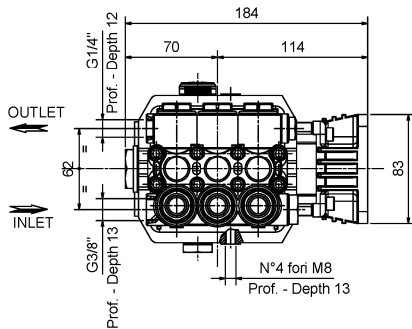
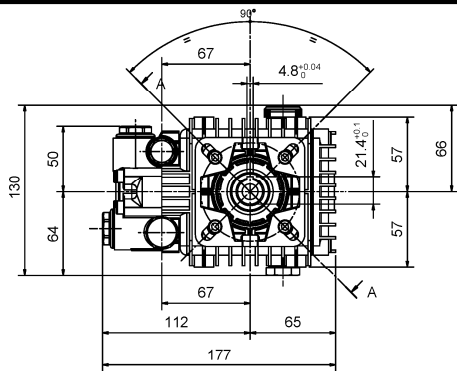


**COD. DIS. 51.2154.00**

**VH VALVE**

**B**

**DIMENSIONI D'INGOMBRO – OVERALL DIMENSIONS – DIMENSIONS D'ENCOMBREMENT  
RAUMBEDARF – DIMENSIONES TOTALES – DIMENSÕES**

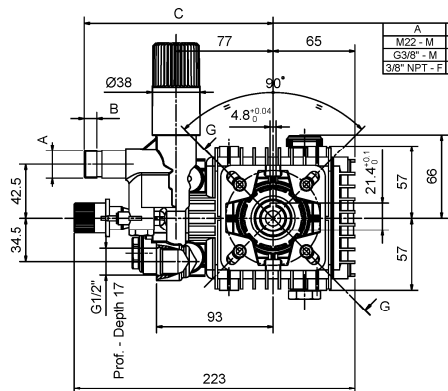


Sez. A-A

**WW906 – TT9061  
TT1508  
TT1510  
WW907 – TT9071  
TT1511  
TT1512  
WW909 – TT9091  
TT1513**

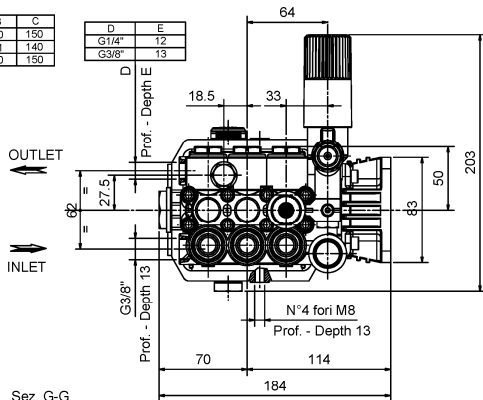
**COD. DIS. 51.2148.00**

**C**

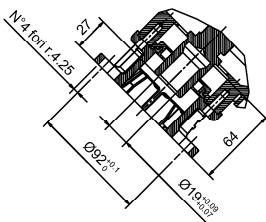
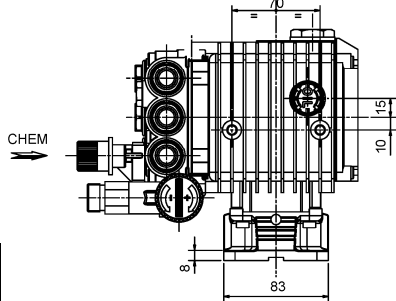


|              | A  | B  | C   |
|--------------|----|----|-----|
| M22 - M      | 10 | 10 | 150 |
| G3/8" - M    | 11 | 11 | 140 |
| 3/8" NPT - F | 10 | 10 | 150 |

|       | D  | E  |
|-------|----|----|
| G1/4" | 12 | 12 |
| G3/8" | 13 | 13 |



Sez. G-G

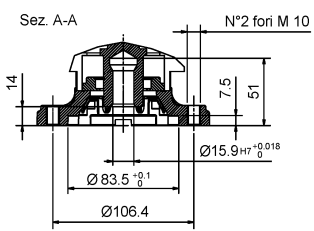
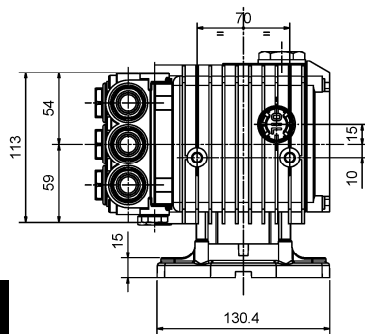
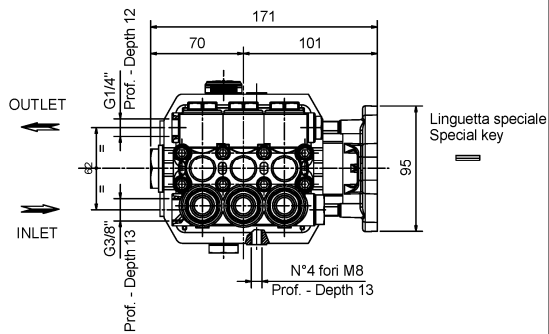
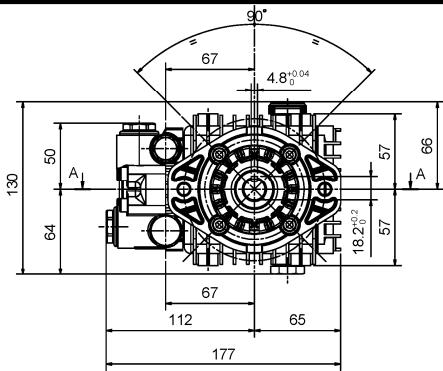


**COD. DIS. 51.2155.00**

**VH VALVE**

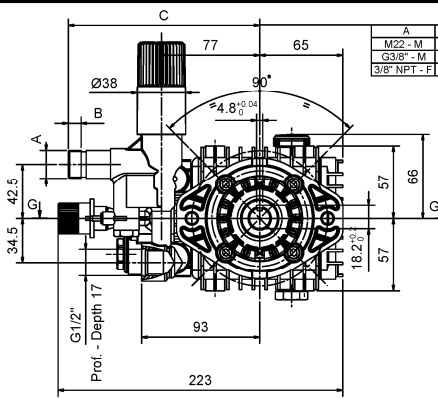
**C**

**DIMENSIONI D'INGOMBRO – OVERALL DIMENSIONS – DIMENSIÕES D'ENCOMBREMEN  
RAUMBEDARF – DIMENSIONES TOTALES – DIMENSÕES**



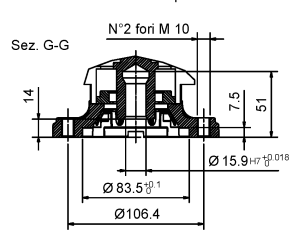
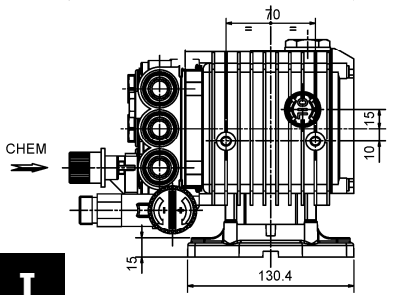
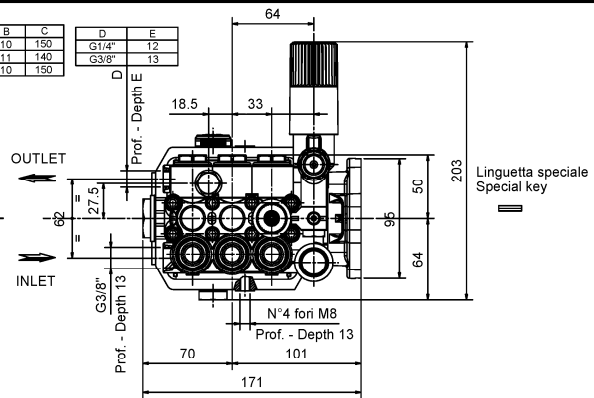
**COD. DIS. 51.2141.00**

**WW1513**



| A            | B  | C   |
|--------------|----|-----|
| M22 - M      | 10 | 150 |
| G3/8" - M    | 11 | 140 |
| 3/8" NPT - F | 10 | 150 |

| D     | E  |
|-------|----|
| G1/4" | 12 |
| G3/8" | 13 |

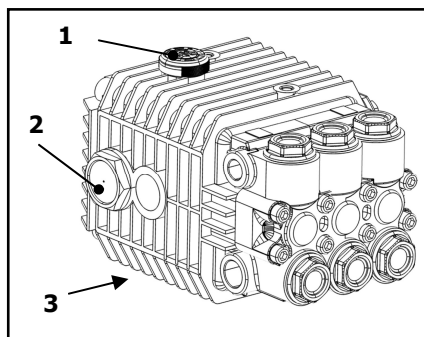


**COD. DIS. 51.2166.00**

**VH VALVE**

## 1 - CAMBIO OLIO

- 1.1 – Il cambio dell'olio va eseguito con pompa a temperatura di lavoro.
- 1.2 – Posizionare un recipiente sotto il tappo di scarico olio (3).
- 1.3 – Rimuovere il tappo con asta (1) e successivamente il tappo di scarico (3).
- 1.4 – Attendere fino a quando tutto l'olio è uscito, quindi riavvitare il tappo di scarico (3) con la coppia torcente indicata su disegno esploso.
- 1.5 – Riempire con olio nuovo fino al raggiungimento della mezzeria del tappo spia livello olio (2) e riavvitare il tappo con asta (1) .



**Per il tipo di olio da utilizzare fare riferimento a quanto indicato sul libretto generico.**



**ATTENZIONE: L'olio esausto deve essere raccolto in recipienti e smaltito negli appositi centri in accordo alla normativa vigente. Non deve essere assolutamente disperso nell'ambiente.**

## 1 – OIL CHANGING

- 1.1 – Oil changing must be done with the pump at operating temperature.
- 1.2 – Put a container under the oil drain plug (3).
- 1.3 – Remove the oil dipstick (1) and then the drain plug (3).
- 1.4 – Wait until all the oil has drained out, then screw the drain plug (3) and tighten at the torque shown in the exploded diagram.
- 1.5 – Fill with new oil until the middle of the oil level indicator (2) is reached, screw by hand the oil dipstick (1).

**Refer to the generic booklet for the type of oil to use.**



**WARNING: The exhaust oil must be collected in receptacles and disposed of at authorised centres as specified by law. It must not be thrown away in the environment.**

## 1 - CHANGEMENT DE L'HUILE

- 1.1 – Le changement de l'huile doit être exécuté avec la pompe à température d'exercice.
- 1.2 – Placer un récipient sous le bouchon de vidange de l'huile (3).
- 1.3 – Enlever le bouchon-jauge (1), puis enlever le bouchon de vidange (3).
- 1.4 – Attendre que toute l'huile soit sortie, puis revisser le bouchon de vidange (3) avec le couple de torsion qui est indiqué sur le dessin éclaté.
- 1.5 – Remplir avec de l'huile neuve jusqu'à la ligne médiane du bouchon indicateur du niveau d'huile (2), et revisser le bouchon-jauge (1).

**Pour le type d'huile à utiliser, se référer à ce qui est indiqué sur la notice générale.**



**ATTENTION : L'huile usée doit être recueillie dans des récipients et éliminée dans les centres prévus à cet effet, conformément à la réglementation en vigueur. Il ne faut absolument pas la jeter dans l'environnement.**

## 1 - ÖLWECHSEL

- 1.1 – Beim Ölwechsel muss die Pumpe Betriebstemperatur aufweisen.
- 1.2 – Unter den Ölablassverschluss (3) einen Behälter stellen.
- 1.3 – Den Verschluss mit dem Stab (1) und danach den Ablassverschluss (3) abnehmen.
- 1.4 – Warten, bis das gesamte Öl abgelassen ist und den Ablassverschluss (3) mit dem auf der Übersichtszeichnung angegebenen Drehmoment wieder anschrauben.
- 1.5 – Mit frischem Öl füllen, bis die Mittellinie des Ölstandkontrollverschlusses (2) erreicht ist und den Verschluss mit dem Stab (1) wieder anschrauben.

**Bezüglich der verwendbaren Ölsorten siehe die Angaben im allgemeinen Handbuch.**



**ACHTUNG: Das Altöl muss in Behältern gesammelt und gemäß den geltenden Vorschriften bei den hierfür vorgesehenen Zentren entsorgt werden. Es darf keinesfalls umweltschädigend entsorgt werden.**

---

## 1 - CAMBIO DE ACEITE

- 1.1 – El cambio de aceite se efectúa con bomba a temperatura de trabajo.
- 1.2 – Colocar un recipiente debajo del tapón de descarga de aceite (3).
- 1.3 – Extraer el tapón con varilla (1) y seguidamente el tapón de descarga (3).
- 1.4 – Esperar hasta que haya salido todo el aceite, volver a enroscar el tapón de descarga (3) con el par de torsión indicado en el despiece.
- 1.5 – Llenar con aceite nuevo hasta alcanzar la línea media del tapón indicador de nivel de aceite (2) y volver a enroscar el tapón con varilla (1).

**Para el tipo de aceite que debe utilizarse, remitirse a las indicaciones del manual general.**



**ATENCIÓN: El aceite residual debe recogerse en recipientes y eliminarse en los centros pertinentes de acuerdo con la normativa vigente. En ningún caso debe dispersarse en el ambiente.**

---

## 1 - TROCA DE ÓLEO

- 1.1 – A troca de óleo deve ser feita com a bomba na temperatura de trabalho.
- 1.2 – Posicionar um recipiente embaixo da tampa de descarga de óleo (3).
- 1.3 – Remover a tampa com o pino (1) e, em seguida, a tampa de descarga (3).
- 1.4 – Esperar que todo o óleo saia, recolocar a tampa de descarga (3) com o binário de torção indicado no desenho explodido.
- 1.5 – Encher com o óleo novo até chegar na linha da tampa de controle do nível do óleo (2) e recolocar a tampa com o pino (1).

**Para o tipo de óleo a ser utilizado, consultar as indicações do livro genérico.**



**ATENÇÃO: O óleo consumido deve ser coletado em recipientes e eliminado nos locais adequados, de acordo com a normativa vigente. Não deve, de modo algum, ser jogado no ambiente.**



## **Dichiarazione di incorporazione (Ai sensi dell'allegato II della Direttiva Europea 2006/42/CE).**

Il produttore **INTERPUMP GROUP S.p.A.** – Via E. Fermi, 25 – 42049 S.ILARIO D'ENZA (RE) - Italia

**DICHIARA** che il prodotto identificato e descritto come segue:

Denominazione: Pompa    Tipo: Pompa alternativa a pistoni per acqua ad alta pressione  
Marchio di fabbrica: INTERPUMP GROUP                      Modello: W1507 – W1208 – W1210 – W905 – T9051 – T1508 – T1209 – T1212 – WW55 – TT551 – WW74 – TT741 – WW90 – TT901 – WW1508 – WW1509 – WW95 – TT951 – WW1510 – WW56 – TT561 – WW75 – TT751 – WW93 – TT931 – WW1511 – WW94 – TT941 – WW1513 – WW906 – TT9061 – TT1508 – TT1510 – WW907 – TT9071 – TT1511 – TT1512 – WW909 – TT9091 – TT1513

Risulta essere conforme ai requisiti delle sotto elencate direttive e successivi aggiornamenti:

- Direttiva Macchine 2006/42/CE
- Direttiva sulla restrizione dell'uso di determinate sostanze pericolose 2002/95/CE - RoHS
- Direttiva sulla responsabilità del produttore 85/374/CE

UNI EN ISO 12100.1:2005 - UNI EN ISO 12100.2:2005 - UNI EN 809:2000

La pompa sopra identificata rispetta tutti i requisiti essenziali di sicurezza e di tutela della salute elencati nel punto 1 dell'allegato I della Direttiva Macchine e la relativa documentazione tecnica è stata compilata in conformità dell'allegato VII B.

Inoltre il produttore si impegna a rendere disponibile, a seguito di una richiesta adeguatamente motivata, copia della documentazione tecnica pertinente la pompa nei modi e nei termini da definire.

La pompa non deve essere messa in servizio finché l'impianto al quale la pompa deve essere incorporata è stato dichiarato conforme alle disposizioni delle relative direttive e/o norme.

Persona autorizzata a costituire il fascicolo tecnico                      Nome: Maurizio Novelli.

Indirizzo: INTERPUMP GROUP S.p.A. – Via E. Fermi, 25 – 42049 S. ILARIO D'ENZA (RE) – Italia

Persona autorizzata a redigere la dichiarazione:                      L'amministratore delegato Ing. Paolo Marinsek

Reggio Emilia 12/2009

Firma 

---

## **Declaration of incorporation (According to annex II of European Directive 2006/42/CE).**

The manufacturer **INTERPUMP GROUP S.p.A.** – Via E. Fermi, 25 – 42049 S.ILARIO D'ENZA (RE) - Italy

**DECLARE** that the device identified and described as follows:

Description: Pump    Type: High pressure reciprocating pump for water  
Trademark: INTERPUMP GROUP                      Model: W1507 – W1208 – W1210 – W905 – T9051 – T1508 – T1209 – T1212 – WW55 – TT551 – WW74 – TT741 – WW90 – TT901 – WW1508 – WW1509 – WW95 – TT951 – WW1510 – WW56 – TT561 – WW75 – TT751 – WW93 – TT931 – WW1511 – WW94 – TT941 – WW1513 – WW906 – TT9061 – TT1508 – TT1510 – WW907 – TT9071 – TT1511 – TT1512 – WW909 – TT9091 – TT1513

Complies with the requirements of the below-listed directives and following updates:

- Directive 2006/42/EC Machinery
- Directive 2002/95/EC Reduction of hazardous substances – RoHS
- Directive 85/374/EC Liability for defective products

UNI EN ISO 12100.1:2005 - UNI EN ISO 12100.2:2005 - UNI EN 809:2000

The above-mentioned pump complies with all the essential requirements of safety and health protection listed in annex I, point 1 of the Machinery Directive and the relevant technical documents are compiled in accordance with annex VII B.

Moreover, in response to a reasoned request, the manufacturer undertake to transmit copy of the technical documents on the pump within the terms and in the ways to be determined.

The pump must not be put into service until the system into which the pump is to be incorporated has been declared in conformity with the provisions of the relevant directives and/or norms.

Person authorized to compile the technical documents                      Name: Maurizio Novelli.

Address: INTERPUMP GROUP S.p.A. – Via E. Fermi, 25 – 42049 S. ILARIO D'ENZA (RE) – Italy

Person empowered to draw up the declaration:                      Ing. Paolo Marinsek (Managing Director)

Reggio Emilia 12/2009

Signature 

## **Déclaration d'incorporation**

**(Aux termes de la pièce annexe II de la Directive Européenne 2006/42/CE).**

Le fabricant **INTERPUMP GROUP S.p.A.** – Via E. Fermi, 25 – 42049 S.ILARIO D'ENZA (RE) - Italie

**DÉCLARE** que le dispositif identifié et décrit ci-après:

Description: Pompe

Type: Pompe à pistons alternatif pour l'eau haute pression

Marque de fabrique: INTERPUMP GROUP

Modèle: W1507 – W1208 – W1210 – W905 – T9051 – T1508

– T1209 – T1212 – WW55 – TT551 – WW74 – TT741 – WW90 – TT901 – WW1508 – WW1509 – WW95 – TT951 – WW1510 – WW56 – TT561 – WW75 – TT751 – WW93 – TT931 – WW1511 – WW94 – TT941 – WW1513 – WW906 – TT9061 – TT1508 – TT1510 – WW907 – TT9071 – TT1511 – TT1512 – WW909 – TT9091 – TT1513

Est conforme aux normes des directives indiquées ci-après et aux suppléments successifs:

- Directive 2006/42/CE relative aux machines
  - Directive 2002/95/CE – RoHS relative à la limitation de l'utilisation de certaines substances dangereuses
  - Directive 85/374/CE en matière de responsabilité du fait des produits défectueux
- UNI EN ISO 12100.1:2005 - UNI EN ISO 12100.2:2005 - UNI EN 809:2000

La pompe identifiée ci-dessus est conforme à toutes les normes fondamentales de sécurité et de sauvegarde de la santé indiquées au point 1 de la pièce annexe I de la Directive relative aux machines et la documentation technique relative a été dressée conformément à la pièce annexe VII B.

De plus, le fabricant s'engage à fournir, à la suite d'une demande dûment motivée, copie de la documentation technique concernant la soupape selon les modalités et dans un délai à définir.

La pompe ne doit pas être utilisée jusqu'à ce que l'installation à laquelle la pompe doit être incorporée à été déclarée conforme aux dispositions des directives et/ou normes relatives.

Personne autorisée à préparer le dossier technique

Nom: Maurizio Novelli.


Adresse: INTERPUMP GROUP S.p.A. – Via E. Fermi, 25 – 42049 S. ILARIO D'ENZA (RE) – Italie

Personne autorisée à rédiger la déclaration:

Ing. Paolo Marinsek (Administrateur Délégué)

Reggio Emilia 12/2009

Signature



## **Einbauerklärung**

**(gemäß Anhang II der Richtlinie 2006/42/EG).**

Der Hersteller **INTERPUMP GROUP S.p.A.** – Via E. Fermi, 25 – 42049 S.ILARIO D'ENZA (RE) - Italien

**ERKLÄRT HIERMIT**, dass die im Folgenden identifizierte und beschriebene Ausrüstung:

Bezeichnung: Pumpe

Type: Kolbenpumpe für Hochdruck-Wasser

Marke: INTERPUMP GROUP

Modell: W1507 – W1208 – W1210 – W905 – T9051 – T1508 –

T1209 – T1212 – WW55 – TT551 – WW74 – TT741 – WW90 – TT901 – WW1508 – WW1509 – WW95 – TT951 – WW1510 – WW56 – TT561 – WW75 – TT751 – WW93 – TT931 – WW1511 – WW94 – TT941 – WW1513 – WW906 – TT9061 – TT1508 – TT1510 – WW907 – TT9071 – TT1511 – TT1512 – WW909 – TT9091 – TT1513

den Anforderungen der unten angeführten Richtlinien und nachfolgenden Ergänzungen voll entspricht:

- Maschinenrichtlinie 2006/42/EG
  - Richtlinie zur Beschränkung der Verwendung bestimmter gefährlicher Stoffe 2002/95/EG - RoHS
  - Richtlinie über die Haftung des Herstellers 85/374/EG
- UNI EN ISO 12100.1:2005 - UNI EN ISO 12100.2:2005 - UNI EN 809:2000

Die oben angeführte Pumpe erfüllt alle wesentlichen Anforderungen zur Sicherheit und den Gesundheitsschutz, die unter Punkt I des Anhangs I der Maschinenrichtlinie aufgelistet sind; die entsprechenden technischen Unterlagen wurden gemäß Anhang VII B ausgestellt.

Der Hersteller verpflichten sich zudem, auf eine entsprechend begründete Anfrage eine Abschrift der technischen Unterlagen über das Pumpe auf eine noch festzulegende Art und Weise zur Verfügung zu stellen.

Die Pumpe darf nicht in Betrieb genommen werden, solange keine Konformitätserklärung für die Anlage, in die es eingebaut werden soll, entsprechend den Bestimmungen der Richtlinien und/oder Normen vorliegt.

Zur Zusammenstellung der technischen Unterlagen ermächtigte Person

Name: Maurizio Novelli.

Adresse: INTERPUMP GROUP S.p.A. – Via E. Fermi, 25 – 42049 S. ILARIO D'ENZA (RE) – Italien

Zur Erstellung der Erklärung ermächtigte Person:

Geschäftsführer Ing. Paolo Marinsek

Reggio Emilia 12/2009

Unterschrift



## Declaración de incorporación

(Con fundamento en el anexo II de la Directiva Europea 2006/42/CE ).

**INTERPUMP GROUP S.p.A.** – Via E. Fermi, 25 – 42049 S.ILARIO D'ENZA (RE) – Italia, en su calidad de fabricante, **DECLARA** que el producto que se identifica y describe a continuación :

Denominación: Bomba Tipo: Bomba alternativa de pistones para agua de alta presión  
Marca de fábrica: INTERPUMP GROUP Modelo: W1507 – W1208 – W1210 – W905 – T9051 – T1508  
– T1209 – T1212 – WW55 – TT551 – WW74 – TT741 – WW90 – TT901 – WW1508 – WW1509 – WW95 –  
TT951 – WW1510 – WW56 – TT561 – WW75 – TT751 – WW93 – TT931 – WW1511 – WW94 – TT941 –  
WW1513 – WW906 – TT9061 – TT1508 – TT1510 – WW907 – TT9071 – TT1511 – TT1512 – WW909 –  
TT9091 – TT1513

Cumple con los requisitos establecidos por las Directivas que seguidamente se mencionan, así como en sus posteriores modificaciones:

- Directiva Máquinas 2006/42/CE
- Directiva 2002/95/CE relacionada con la restricción del uso de determinadas sustancias peligrosas
- Directiva 85/374/CE

UNI EN ISO 12100.1:2005 - UNI EN ISO 12100.2:2005 - UNI EN 809:2000

Esta bomba está conforme con todos los requisitos esenciales de seguridad y de protección de la salud prevista en el punto 1 del anexo I de la Directiva Máquinas, además, la respectiva documentación técnica ha sido elaborada de acuerdo con el anexo VII B.

Además, el fabricante se compromete a poner a disposición de quien lo solicite en forma idónea y motivada, de una copia de la documentación técnica de la respectiva bomba, en la forma y dentro de los términos que se convergen.

La bomba no debe ponerse en funcionamiento hasta que la instalación a la cual se deba conectar sea declarada conforme con las disposiciones exigidas por las directivas y/o normas respectivas.

Persona autorizada a formar el expediente técnico: Nombre: Maurizio Novelli.

Dirección: INTERPUMP GROUP S.p.A. – Via E. Fermi, 25 – 42049 S. ILARIO D'ENZA (RE) – Italia

Persona autorizada a rendir la declaración: Ing. Paolo Marinsek (Director Adjunto)

Reggio Emilia 12/2009

Firma 

## Declaração de incorporação

(Em conformidade com o anexo II da Directiva Europeia 2006/42/CE).

O fabricante **INTERPUMP GROUP S.p.A.** – Via E. Fermi, 25 – 42049 S.ILARIO D'ENZA (RE) - Itália

**DECLARA** que o produto identificado e descrito como se segue:

Denominação: Bomba Tipo: Bomba alternativa com pistão para água de alta pressão  
Marca comercial: INTERPUMP GROUP Modelo: W1507 – W1208 – W1210 – W905 – T9051 – T1508  
– T1209 – T1212 – WW55 – TT551 – WW74 – TT741 – WW90 – TT901 – WW1508 – WW1509 – WW95 –  
TT951 – WW1510 – WW56 – TT561 – WW75 – TT751 – WW93 – TT931 – WW1511 – WW94 – TT941 –  
WW1513 – WW906 – TT9061 – TT1508 – TT1510 – WW907 – TT9071 – TT1511 – TT1512 – WW909 –  
TT9091 – TT1513

Está em conformidade com os requisitos das directivas abaixo elencadas e sucessivas actualizações:

- Directiva de Máquinas 2006/42/CE
- Directiva sobre a restrição do uso de determinadas substâncias perigosas 2002/95/CE
- Directiva sobre a responsabilidade do fabricante 85/374/CE

UNI EN ISO 12100.1:2005 - UNI EN ISO 12100.2:2005 - UNI EN 809:2000

A bomba acima identificada respeita todos os requisitos essenciais de segurança e de tutela da saúde elencados no ponto 1 do anexo I da Directiva de Máquinas e a relativa documentação técnica foi preenchida em conformidade com o anexo VII B.

Além disso o fabricante responsabiliza-se a disponibilizar, de seguida a um pedido adequadamente motivado, uma cópia da documentação técnica referente à bomba nos modos e nos termos a definir.

A bomba não deve ser colocada em funcionamento até que a instalação na qual a bomba deve ser incorporada for declarada em conformidade com as disposições das relativas directivas e/ou normas.

Pessoa autorizada a constituir o fascículo técnico Nome: Maurizio Novelli.

Morada: INTERPUMP GROUP S.p.A. – Via E. Fermi, 25 – 42049 S. ILARIO D'ENZA (RE) – Itália

Pessoa autorizada para redigir a declaração:

O administrador delegado Eng. Paolo Marinsek

Reggio Emilia 12/2009

Assinatura 

**COPYRIGHT** Il contenuto di questo libretto è di proprietà di INTERPUMP GROUP, ne è vietata la riproduzione e/o la divulgazione, anche parziale, a termini di legge.

**COPYRIGHT** The contents of this booklet are the property of INTERPUMP GROUP. Reproduction and divulgation, in whole or in part, are prohibited by law.

**COPYRIGHT** Le contenu de cette notice appartient à INTERPUMP GROUP : aux termes de la loi il est interdit de le reproduire et/ou de le divulguer, même partiellement.

**COPYRIGHT** Der Inhalt dieser Bedienungsanleitung ist Eigentum von INTERPUMP GROUP. Die auch nur teilweise Reproduktion und/oder Verbreitung ist gesetzlich verboten.

**COPYRIGHT** El contenido del presente manual es propiedad de INTERPUMP GROUP y está legalmente prohibida su reproducción y/o divulgación parcial o total.

**COPYRIGHT** O conteúdo deste livro é de propriedade da INTERPUMP GROUP, e é proibida a sua reprodução e/ou a sua divulgação, mesmo parcial, nos termos da lei.

---

**Le informazioni presenti su questo documento possono essere variate senza preavviso.**

**The information contained in this document may change without notice.**

**Les informations présentes sur ce document peuvent être changées sans besoin de préavis.**

**Die in diesem Dokument enthaltenen Informationen können ohne Vorankündigung geändert werden.**

**La información contenida en el presente documento puede modificarse sin previo aviso.**

**As informações contidas neste documento poderão ser sujeitas a alterações sem aviso prévio.**

---



**INTERPUMP GROUP**

VIA FERMI, 25 42049 S.ILARIO – REGGIO EMILIA (ITALY)  
TEL. +39 – 0522 - 904311 TELEFAX +39 – 0522 – 904444  
E-mail: [info@interpumpgroup.it](mailto:info@interpumpgroup.it) - <http://www.interpumpgroup.it>