



# INTERPUMP GROUP

# E3

I  
GB  
F

**ISTRUZIONI D'USO**  
**INSTRUCTIONS FOR USE**  
**MODE D'EMPLOI**

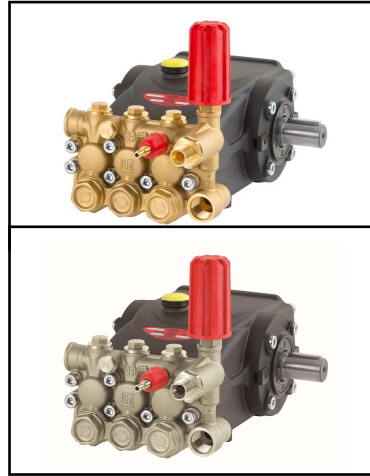
D  
E  
P

**BEDIENUNGSANLEITUNG**  
**INSTRUCCIONES DE USO**  
**INSTRUÇÕES DE USO**


Questo manuale deve essere letto e compreso in accordo al libretto generico "Istruzioni d'uso e manutenzione".  
This manual must be read and followed in accordance with the generic "Instructions for Use and Maintenance" booklet.  
Ce manuel doit être lu et compris en accord avec la notice générale " Mode d'emploi et d'entretien ".  
Dieses Handbuch ist in Verbindung mit dem allgemeinen Handbuch " Gebrauchs- und Wartungsanleitung " zu lesen und zu verstehen.  
Este manual debe leerse y comprenderse de acuerdo con el manual general "Instrucciones de uso y mantenimiento"  
Este manual deve ser lido e interpretado de acordo com o livro genérico "Instruções de uso e manutenção"

59

S  
E  
R  
I  
E  
S

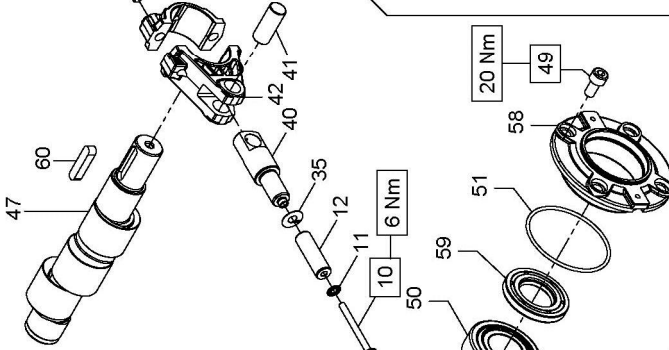
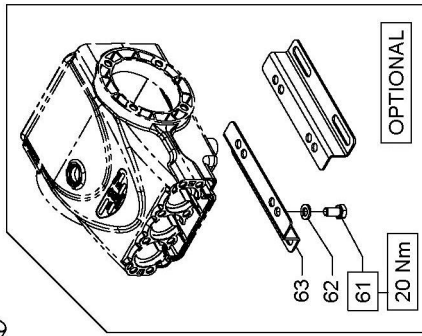
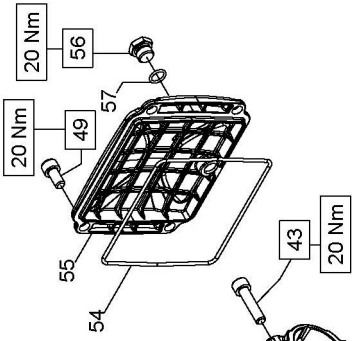


Modello Model Modèle Modell Modelo	Portata Flow rate Débit Förderstrom Caudal Flujo		Pressione Pressure Pression Druck Presión Pressão			g/mrpm t/m upm r/m r/m	Potenza Power Puissance Leistung Potencia Poder		Peso Weight Poids Gewicht Peso Peso		
	l/min	gpm	bar	MPa	psi		Hp	KW	Kg	Ibs	
E3A1713	13.0	3.43	170	17	2465	1000	5.7	4.19	9.5	21	0.65
E3A1515	14.5	3.83	150	15	2175	1000	5.6	4.12	9.5	21	0.65
E3A2113	13.0	3.43	210	21	3045	1000	7.1	5.22	9.5	21	0.65
E3A2115	14.5	3.83	210	21	3045	1000	7.9	5.81	9.5	21	0.65
E3B1911	11.0	2.91	190	19	2755	1450	5.4	3.97	9.5	21	0.65
E3B1713	13.0	3.43	170	17	2465	1450	5.7	4.19	9.5	21	0.65
E3B1515	15.0	3.96	150	15	2175	1450	5.8	4.26	9.5	21	0.65
E3B1218	18.0	4.76	120	12	1750	1450	5.6	4.12	9.5	21	0.65
E3B1021	21.0	5.55	100	10	1450	1450	5.5	4.04	9.5	21	0.65
E3B2511	11.0	2.91	250	25	3625	1450	7.1	5.22	9.5	21	0.65
E3B2513	13.0	3.43	250	25	3625	1450	8.4	6.18	9.5	21	0.65
E3B2515	15.0	3.96	250	25	3625	1450	9.7	7.13	9.5	21	0.65
E3B2118	18.0	4.76	210	21	3045	1450	9.8	7.21	9.5	21	0.65
E3B2121	21.0	5.55	210	21	3045	1450	11.5	8.46	9.5	21	0.65

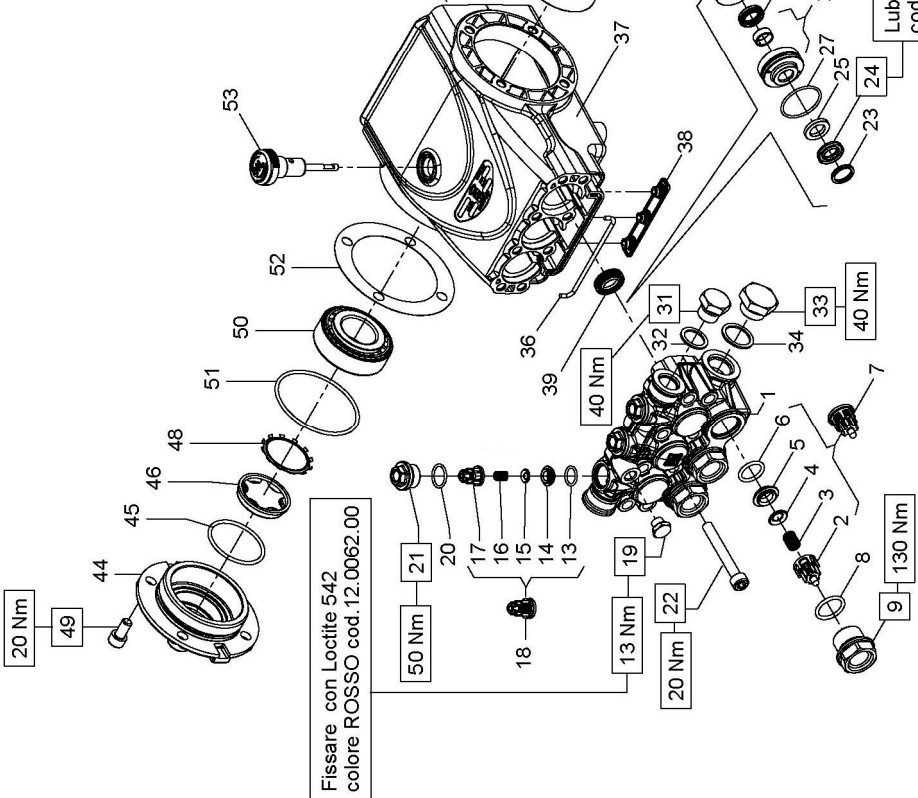
Modello Model Modèle Modell Modelo Modelo	Portata Flow rate Débit Förderstrom Caudal Flujo		Pressione Pressure Pression Druck Presión Pressão			g/mrpm t/m upm r/m r/m	Potenza Power Puissance Leistung Potencia Poder		Peso Weight Poids Gewicht Peso Peso		
	l/min	gpm	bar	MPa	psi		Hp	kW	Kg	Ibs	
E3C1713	13.0	3.43	170	17	2465	1750	5.7	4.19	9.5	21	0.65
E3C1515	15.0	3.96	150	15	2175	1750	5.8	4.26	9.5	21	0.65
E3C1218	18.0	4.76	120	12	1750	1750	5.6	4.12	9.5	21	0.65
E3C1021	21.0	5.55	100	10	1450	1750	5.5	4.04	9.5	21	0.65
E3C2513	13.0	3.43	250	25	3625	1750	8.4	6.18	9.5	21	0.65
E3C2515	15.0	3.96	250	25	3625	1750	9.7	7.13	9.5	21	0.65
E3C2518	18.0	4.76	250	25	3625	1750	11.7	8.60	9.5	21	0.65
E3C2521	21.0	5.55	250	25	3625	1750	13.6	10.00	9.5	21	0.65
E3E2813	13.0	3.43	275	27.5	4000	3400	9.3	6.84	9.5	21	0.65
E3E2815	15.0	3.96	275	27.5	4000	3400	10.7	7.87	9.5	21	0.65
E3E2517	17.0	4.49	250	25	3625	3400	11.0	8.09	9.5	21	0.65
E3E2520	20.0	5.28	250	25	3625	3400	13.0	9.56	9.5	21	0.65



DIS. COD. 59.9500.00\_2



Lubrificare con grasso di vaselina  
cod. 12.0021.00



Fissare con Loctite 542  
colore ROSSO cod.12.0062.00

SERIE 59

<b>E381911 E3C1713 E3C1515 E3C1218 E3C1021 E3B1515 E3B1713 E3B1021 E3A1515 E3B1218 E3A1713</b>	
--	--

PISTON D. 18		PISTON D. 20		PISTON D. 22	
E3B1911 E3C1713	E3C1515 E3C1218 E3C1021 E3B1515 E3B1713	E3C1515 E3C1218 E3C1021 E3B1515 E3B1713	E3B1021 E3A1515 E3B1218 E3A1713		

POS	COD.	DESCRIZIONE - DESCRIPTION - KIT	NR
1	59.1202.41 59.1203.41 59.1204.41	Testata pompa D. 18 Testata pompa D. 20 Testata pompa D. 22	1
2	36.2025.51	Guida valvola d'aspirazione	269
3	94.7376.00	Molla Dm. 9.4x14.8	269
4	36.2001.76	Valvola sferica	269
5	36.2003.66	Sede valvola d'aspirazione	269
6	90.3841.00	OR D. 17.13x2.62 NBR 70SH 3068	269
7	36.7115.01	Gr. valvola d'aspirazione	269
8	90.3847.00	OR D. 20.29x2.62 NBR 90SH 3081	270
9	98.2226.00	Tappo M 24.0x1.5x16.7	270
10	99.1690.00	Vite M 5x55	3
11	96.6905.00	Rosetta D. 5.0x11.5x0.4	3
12	58.0402.09 59.0400.09 59.0401.09	Pistone D. 18x42 Pistone D. 20x42 Pistone D. 22x42	3
13	90.3674.00	OR D. 12.00x2.00 NBR 70SH	269
14	36.2113.66	Sede valvola di mandata	269
15	36.2112.76	Valvola sferica	269
16	94.7333.00	Molla Dm. 6.2x10.4	269
17	36.2111.51	Guida valvola di mandata	269
18	36.7193.01	Gr. valvola di mandata	269
19	98.1966.00	Tappo G 1/8"x8	1
20	90.3593.00	OR D. 15.60x1.78 NBR 70SH 2062	270
21	98.2137.00	Tappo M18x1.5x10 D.23 - D. 12	270

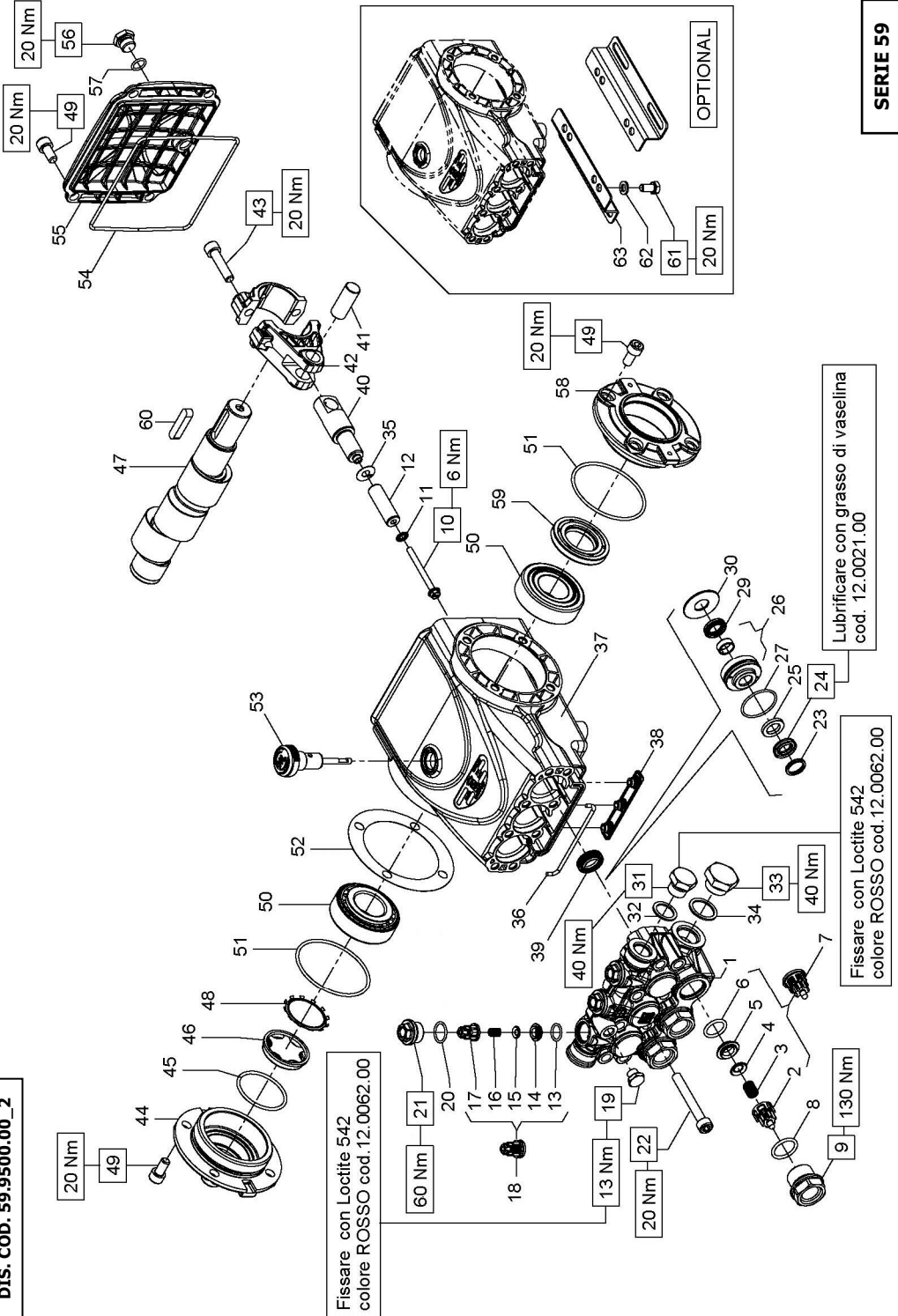
KIT RICAMBI - SPARE KITS					
KIT Nr.	KIT 0269	KIT 0270	KIT 0271	KIT 0284	KIT 0289
Posizioni include Positions included	2 - 3 - 4 - 5 - 6 13 - 14 - 15 16 - 17 (7) - (18)	8 - 9 20 - 21	39	23 - 24 25 - 26 27 - 29 30	23 - 24 25 - 26 27 - 29 30
NR. Pcs.	3	3	3	3	1

POS	COD.	DESCRIZIONE - DESCRIPTION - KIT	NR
22	99.3177.00	Vite M 8x60 UNI 5931	8
23	63.1011.51 66.1007.51 66.1009.51	Anello di testa D. 18 Anello di testa D. 20 Anello di testa D. 22	284 289 285 290 286 291
24	90.2653.50 90.2691.00 90.2716.00	An. ten. alt. D.18x28x6/3,7 HP 284 289 An. ten. alt. D.20x30x6/3,7 HP 285 290 An. ten. alt. D.22x32x6/3,7 HP 286 291	3
25	90.5111.50 90.5134.00 90.5148.50	An. antiest. D. 18.0x28.0x2.0 284 289 An. antiest. D. 20.0x30.0x2.0 285 290 An. antiest. D. 22.0x32.0x2.0 286 291	3
26	59.6060.01 59.6061.01 59.6062.01	Gr. supp. guarn./bussola D. 18 289 Gr. supp. guarn./bussola D. 20 290 Gr. supp. guarn./bussola D. 22 291	3
27	90.3612.00	OR D. 31.47x1.78 NBR 70SH 2125 284 285 286 289 290 291	3
29	90.2650.00 90.2690.00 90.2715.00	An. ten. alt. D.18x24x5.0 LP 284 289 An. ten. alt. D.20x28x6.5 LP 285 290 An. ten. alt. D.22x30x6.5 LP 286 291	3
30	59.2107.70 59.2108.70 59.2109.70	Anello per tenuta D. 18 289 Anello per tenuta D. 20 290 Anello per tenuta D. 22 291	3
31	98.2100.00	Tappo G 3/8"x13	1
32	96.7380.00	Rosetta D. 17.5x23.0x1.5	1
33	98.2176.00	Tappo G 1/2"x10	1
34	96.7514.00	Rosetta D. 21.5x27.0x1.5	1
35	96.6990.00	Rosetta D. 7.5x23.0x0.5	3
36	59.2110.82	Guarnizione spugna D. 3x103	1
37	59.0100.22	Carter pompa	1
38	58.2104.51	Protezione	1
39	90.1565.50	Anello rad. D. 15.0x24.0x5.0/7.0	271
40	59.050066	Guida pistone	3
41	97.7399.00	Spinotto D. 14x34	3

PISTONE - PISTON D. 18						PISTONE - PISTON D. 20						PISTONE - PISTON D. 22						
KIT 0284	KIT 0289	KIT 0285	KIT 0290	KIT 0286	KIT 0291	KIT 0284	KIT 0289	KIT 0285	KIT 0290	KIT 0286	KIT 0291	KIT 0284	KIT 0289	KIT 0285	KIT 0290	KIT 0286	KIT 0291	
23 - 24 25 - 27 29	23 - 24 25 - 26 27 - 29 30	23 - 24 25 - 26 27 - 29 29	23 - 24 25 - 26 27 - 29 30	23 - 24 25 - 26 27 - 29 30	23 - 24 25 - 26 27 - 29 30	23 - 24 25 - 26 27 - 29 30	23 - 24 25 - 26 27 - 29 30	23 - 24 25 - 26 27 - 29 29	23 - 24 25 - 26 27 - 29 30	23 - 24 25 - 26 27 - 29 29	23 - 24 25 - 26 27 - 29 30	23 - 24 25 - 26 27 - 29 30	23 - 24 25 - 26 27 - 29 30	23 - 24 25 - 26 27 - 29 29	23 - 24 25 - 26 27 - 29 30	23 - 24 25 - 26 27 - 29 29	23 - 24 25 - 26 27 - 29 30	
3	1	3	1	3	1	3	1	3	1	3	1	3	1	3	1	3	1	3

POS	COD.	DESCRIZIONE - DESCRIPTION - KIT	NR
42	59.0300.01	Biella completa	3
43	99.3099.00	Vite serraggio biella	6
44	47.1512.22	Coperchio laterale lato spia	1
45	90.3877.00	OR D. 39.34x2.62 NBR 70SH 3156	1
46	70.2118.01	Spia livello olio	1
	59.0201.35	Alb. ecc. C. 13.0 - E3B1021 E3C1021 E3A1515	
47	59.0202.35	Alb. ecc. C. 12.0 - E3B1218 E3C1218 E3B1515 E3A1713	1
	59.0203.35	Alb. ecc. C. 10.0 E3C1515 E3B1911 E3B1713 E3C1713	
48	90.0756.00	Anello d'arresto Z145	1
49	99.3039.00	Vite M 8x16 UNI 5931	12
50	91.8375.00	Cuscinetto a rulli	2
51	90.3913.00	OR D. 67.95x2.62 NBR 70SH 3268	2
52	97.5680.00 97.5678.00	Spessore D. 74.5x104x0.3 Spessore D. 74.5x104x0.1	1
53	98.2103.00	Asta livello olio G 3/8"x51	1
54	90.3922.00	OR D.133.02x2.62 NBR 70SH 3525	1
55	59.1600.22	Coperchio posteriore carter	1
56	98.2042.50	Tappo G 1/4"x9 TE17 - Zinc.	1
57	90.3585.00	OR D. 10.82x1.78 NBR 70SH 2043	1
58	47.1510.22	Coperchio laterale lato PTO	1
59	90.1648.00	Anello rad. D. 30.0x55.0x7.0	1
60	91.4892.00	Linguetta 8.0x7.0x35.0	1
61	99.3037.00	Vite M 8x16 UNI 5739	4
62	96.7016.00	Rosetta D. 8.4x14.4x2.0	4
63	50.2000.74	Piedino pompa	2

DIS. COD. 59.9500.00\_2



SERIE 59

<b>E3A2113</b>	<b>E3A2115</b>	<b>E3B2511</b>	<b>E3B2513</b>
<b>E3B2515</b>	<b>E3B2118</b>	<b>E3B2121</b>	<b>E3C2513</b>
<b>E3C2515</b>	<b>E3C2518</b>	<b>E3C2521</b>	<b>E3E2813</b>
<b>E3E2815</b>	<b>E3E2517</b>	<b>E3E2518</b>	<b>E3E2520</b>

**KIT RICAMBI - SPARE KITS**

KIT NR.	KIT 0269	KIT 0292	KIT 0271	KIT 0282	KIT 0287	KIT 0283	PIST. D. 15	PIST. D. 18	PIST. D. 20	PIST. D. 22
2 - 3 - 4 - 5 - 6 13 - 14 - 15 16 - 17 (7) - (18)	8 - 9 20 - 21	39		23 - 24 23 - 24 25 - 26 25 - 27 29	23 - 24 23 - 24 25 - 26 25 - 27 29	23 - 24 23 - 24 25 - 26 25 - 27 29	23 - 24 23 - 24 25 - 26 25 - 27 29	23 - 24 23 - 24 25 - 26 25 - 27 29	23 - 24 23 - 24 25 - 26 25 - 27 29	23 - 24 23 - 24 25 - 26 25 - 27 29
3	3	3	3	3	3	3	1	3	1	3

D. 13	D. 15	D. 18	D. 20
E3E2813 E3E2815	E3E2517 E3E2520	E3B2511 E3C2513	E3B2513 - E3C2515 E3C2518 - E3C2521
<b>D. 22</b>			
E3A2113 E3A2115 E3B2118 E3B2121			

KIT NR.	KIT 0269	KIT 0292	KIT 0271	KIT 0282	KIT 0287	KIT 0283	PIST. D. 13	PIST. D. 15	PIST. D. 18	PIST. D. 20	PIST. D. 22
Posizioni include Positions Included	8 - 9 20 - 21	39		23 - 24 23 - 24 25 - 26 25 - 27 29	23 - 24 23 - 24 25 - 26 25 - 27 29	23 - 24 23 - 24 25 - 26 25 - 27 29	23 - 24 23 - 24 25 - 26 25 - 27 29	23 - 24 23 - 24 25 - 26 25 - 27 29	23 - 24 23 - 24 25 - 26 25 - 27 29	23 - 24 23 - 24 25 - 26 25 - 27 29	
3	3	3	3	3	3	3	3	3	1	3	

POS	COD.	DESCRIZIONE - DESCRIPTION - KIT	NR
19	98.1967.00	Tappo G 1/8"x8	1
20	90.3593.00	OR D. 15.60x1.78 NBR 70SH 2062 292	3
21	98.2137.50	Tappo M18x1.5x10 D.23 - D.12	292
22	99.3177.00	Vite M 8x60 UNI 5931	8
23	44.1002.51	Anello di testa D. 13	282 287
	63.1010.51	Anello di testa D. 15	283 288
	63.1011.51	Anello di testa D. 18	284 289
	66.1007.51	Anello di testa D. 20	285 290
	66.1009.51	Anello di testa D. 22	286 291
	90.2602.00	An. ten.alt.D.13x21x4 HP	282 287
	90.2611.00	An. ten.alt.D.15x24x5,4/3,4 HP	283 288
24	90.2653.50	An. ten.alt.D.18x28x46/3,7 HP	284 289
	90.2691.00	An. ten.alt.D.20x30x6/3,7 HP	285 290
	90.2716.00	An. ten.alt.D.22x32x6/3,7 HP	286 291
25	90.5076.00	Anello antiest. D. 13x21x4	282 287
	90.5089.90	Anello antiest. D. 15x24x2	283 288
	90.5111.50	Anello antiest. D. 18x28x2	284 289
	90.5134.00	Anello antiest. D. 20x30x2	285 290
	90.5148.50	Anello antiest. D. 22x32x2	286 291
26	59.6058.01	Gr. supp. guarn./bussola D. 13	287
	59.6059.01	Gr. supp. guarn./bussola D. 15	288
	59.6060.01	Gr. supp. guarn./bussola D. 18	289
	59.6061.01	Gr. supp. guarn./bussola D. 20	290
	59.6062.01	Gr. supp. guarn./bussola D. 22	291
27	90.3612.00	OR D. 31.47x1.78 NBR 70SH 2125	3
	90.2601.00	An. ten. alt. D.13x20x5.0 LP	282 287
	90.2608.00	An. ten. alt. D.15x22x5.0 LP	283 288
	90.2650.00	An. ten. alt. D.18x24x5.0 LP	284 289
	90.2690.00	An. ten. alt. D.20x28x6.5 LP	285 290
	90.2715.00	An. ten. alt. D.22x30x6.5 LP	286 291
	59.2105.70	Anello per tenuta D. 13	287
	59.2106.70	Anello per tenuta D. 15	288
	59.2107.70	Anello per tenuta D. 18	289
	59.2108.70	Anello per tenuta D. 20	290
	59.2109.70	Anello per tenuta D. 22	291
31	98.2099.00	Tappo G 3/8"x13	1
31	98.2099.00	Tappo G 3/8"x13	1

POS	COD.	DESCRIZIONE - DESCRIPTION - KIT	NR
32	96.7800.00	Rosetta D. 17.5x23.0x1.5	1
33	98.2179.00	Tappo G 1/2"x10	1
34	96.7514.00	Rosetta D. 21.5x27.0x1.5	1
35	96.6990.00	Rosetta D. 7.5x23.0x0.5	3
36	59.2110.82	Guarnizione spugna D. 3x103	1
37	59.0100.22	Carter pompa	1
38	58.2104.51	Protezione	1
39	90.1565.50	Anello rad. D. 15.0x24.0x5.0/7.0	271
40	59.0500.66	Guida pistone	3
41	97.7399.00	Spinotto D. 14x34	3
42	59.0300.01	Biella completa	3
43	99.3099.00	Vite serraggio biella	6
44	47.1512.22	Coperchio laterale lato spia	1
45	90.3877.00	OR D. 39.34x2.62 NBR 70SH 3156	1
46	70.2118.01	Spia livello olio	1
	59.0201.35	Alb. ecc. C. 13.0 - E3A2115 E3B2121	
	E3C2521 E3E2815		
47	59.0202.35	Alb. ecc. C. 12.0 - E3A2113 E3B2118	1
	E3B2515 E3C2518 E3E2520		
	59.0203.35	Alb. ecc. C. 10.0 - E3B2511 E3B2513	
	E3C2513 E3C2515 E3E2813 E3E2517		
48	90.0756.00	Anello d'arresto ZJ45	1
49	99.3039.00	Vite M 8x16 UNI 5931	12
50	91.8375.00	Cuscinetto a rulli	2
51	90.3913.00	OR D. 67.95x2.62 NBR 70SH 3268	2
52	97.5680.00	Spessore D. 74.5x104x0.3	1
	97.5678.00	Spessore D. 74.5x104x0.1	
53	98.2105.00	Asta livello olio G 3/8"x51	1
54	90.3922.00	OR D. 133.02x2.62 NBR 70SH 3525	1
55	59.1600.22	Coperchio posteriore carter	1
56	98.2042.50	Tappo G 1/4"x9 TE17 - Zinc.	1

EA2113 EA2115 E3B2511 E3B2513  
 E3B2515 E3B2118 E3B2121 E3C2513  
 E3C2515 E3C2518 E3C2521 E3E2813  
 E3E2815 E3E2517 E3E2520

D. 13	D. 15	D. 18	D. 20
E3E2813 E3E2815	E3E2517 E3E2520	E3B2511 E3C2513	E3B2513 - E3B2515 - E3C2515 E3C2518 - E3C2521
<b>D. 22</b>			
E3A2113 E3A2115 E3B2118 E3B2121			

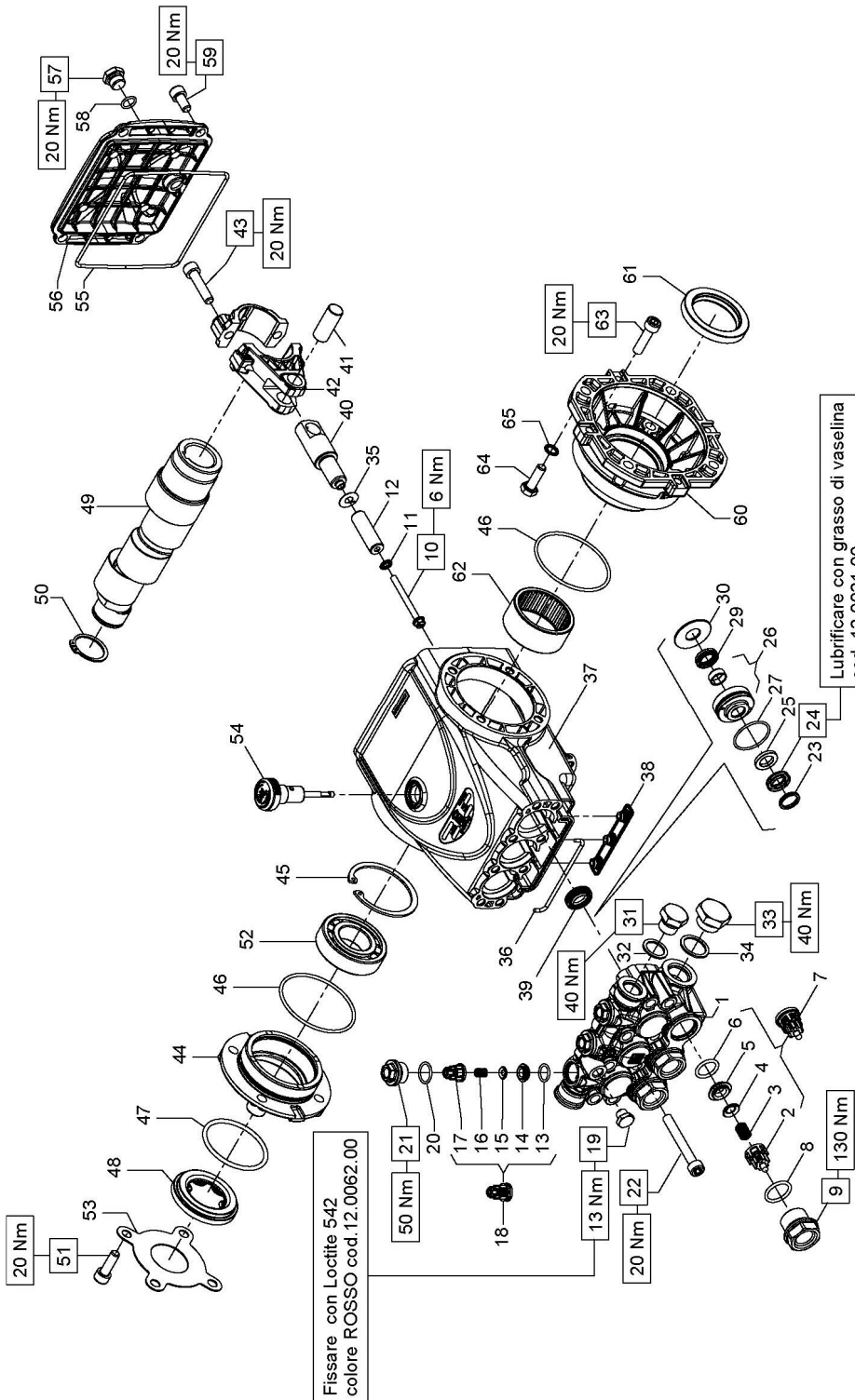
POS	COD.	DESCRIZIONE - DESCRIPTION - KIT	NR
57	90.3585.00	OR D. 10.82x1.78 NBR 70SH 2043	1
58	47.1510.22	Coperchio laterale lato PTO	1
59	90.1648.00	Anello rad. D. 30.0x55.0x7.0	1
60	91.4892.00	Linguetta 8.0x7.0x35.0	1
61	99.3037.00	Vite M 8x16 UNI 5739	4
62	96.7016.00	Rosetta D. 8.4x14.4x2.2	4
63	50.2000.74	Piede pompa	2

**KIT RICAMBI - SPARE KITS**

KIT Nr.	KIT 0259		PIST. D. 13		PIST. D. 15		PIST. D. 18		PIST. D. 20		PIST. D. 22	
	KIT 0269	KIT 0292	KIT 0282	KIT 0287	KIT 0283	KIT 0288	KIT 0284	KIT 0289	KIT 0285	KIT 0290	KIT 0286	KIT 0291
Posizioni includi	2 - 3 - 4 - 5 - 6		23 - 24	23 - 24	23 - 24	23 - 24	23 - 24	23 - 24	23 - 24	23 - 24	23 - 24	23 - 24
Positions Included	13 - 14 - 15	8 - 9	25 - 26	25 - 26	25 - 26	25 - 26	25 - 26	25 - 26	25 - 26	25 - 26	25 - 26	25 - 26
Nr. Pcs.	16 - 17 (7) - (18)	20 - 21	27 - 29	27 - 29	27 - 29	27 - 29	27 - 29	27 - 29	27 - 29	27 - 29	27 - 29	27 - 29
	3	3	3	1	3	1	3	1	3	1	3	1







Fissare con Loctite 542  
colore ROSSO cod.12.0062.00

Lubrificare con grasso di vaselina  
cod. 12.0021.00

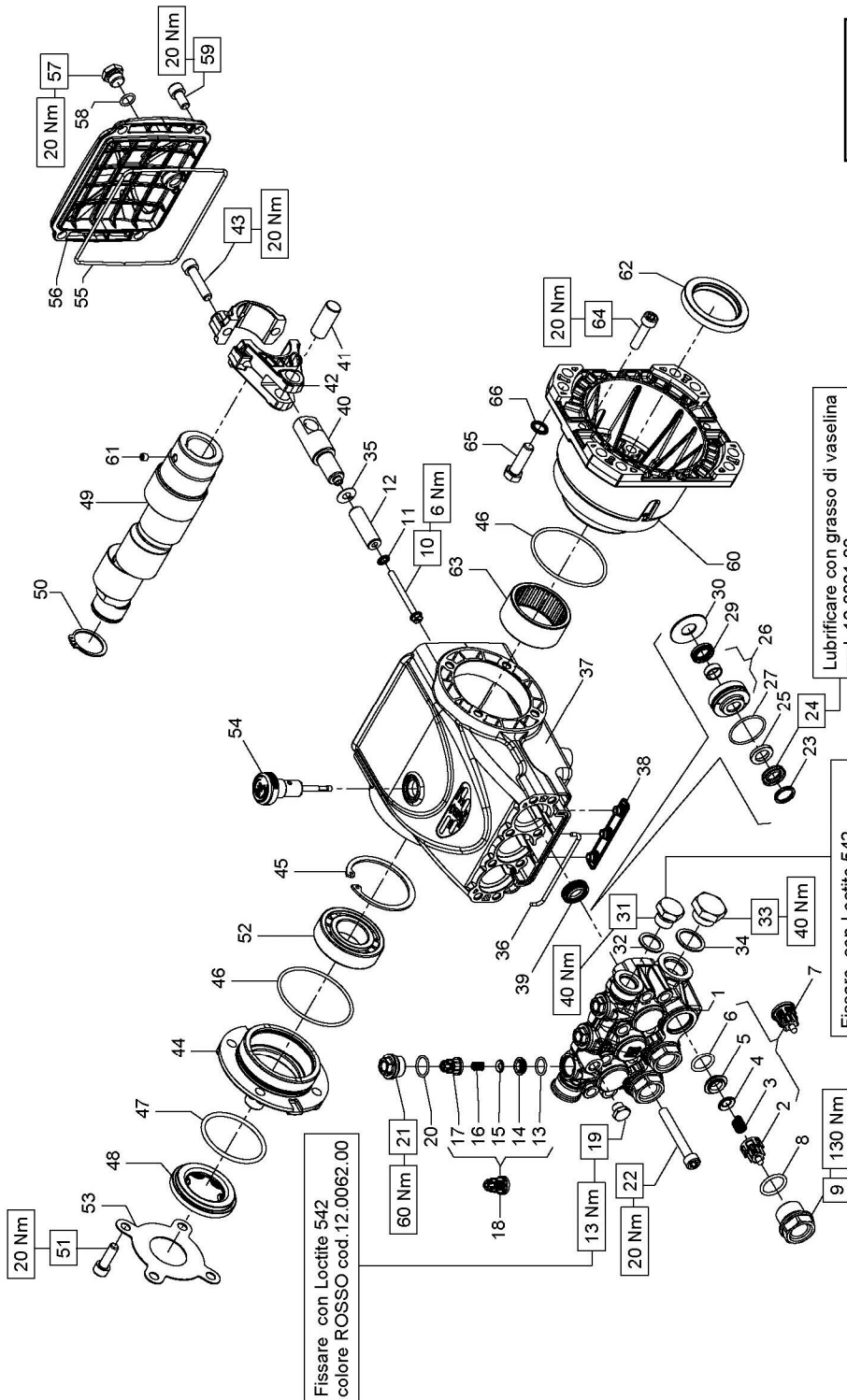
E3B1021	
---------	--

POS	COD.	DESCRIZIONE - DESCRIPTION - KIT	NR
1	59.120441	Testata pompa D. 22	1
2	36.202551	Guida valvola d'aspirazione	269
3	94.737600	Molla Dm. 9.4x14.8	269
4	36.200176	Valvola sferica	269
5	36.200366	Sede valvola d'aspirazione	269
6	90.384100	OR D. 17.13x2.62 NBR 70SH 3068	269
7	36.711501	Gr. valvola d'aspirazione	269
8	90.384700	OR D. 20.29x2.62 NBR 90SH 3081	270
9	98.222600	Tappo M 24.0x1.5x16.7	270
10	99.169000	Vite M 5x55	3
11	96.690500	Rosetta D. 5.0x11.5x0.4	3
12	59.040109	Pistone D. 22x42	3
13	90.367400	OR D. 12.00x2.00 NBR 70SH	269
14	36.211366	Sede valvola di mandata	269
15	36.211276	Valvola sferica	269
16	94.733300	Molla Dm. 6.2x10.4	269
17	36.211151	Guida valvola di mandata	269
18	36.719301	Gr. valvola di mandata	269
19	98.196600	Tappo G 1/8"x8	1
20	90.359300	OR D. 15.60x1.78 NBR 70SH 2062	270
21	98.213700	Tappo M18x1.5x10 D.23-D.12	270
22	99.317700	Vite M 8x60 UNI 5931	8
23	63.100951	Anello di testa D. 22	286-291
24	90.271600	An. ten. alt. D. 22.0x32.0x6.0/3.7 HP	286 291
25	90.514850	An. antiest. D. 22.0x32.0x2.0	286 291
26	59.606201	Gr. supp. guarn./bussola D. 22	291
27	90.361200	OR D. 31.47x1.78 NBR 70 SH. 2125	286 291

POS	COD.	DESCRIZIONE - DESCRIPTION - KIT	NR
29	90.271500	An. ten. alt. D. 22.0x30.0x6.5 LP	286-291
30	59.210970	Anello per tenuta D. 22	291
31	98.210000	Tappo G 3/8"x13	1
32	96.738000	Rosetta D. 17.5x23.0x1.5	1
33	98.217600	Tappo G 1/2"x10	1
34	96.751400	Rosetta D. 21.5x27.0x1.5	1
35	96.699000	Rosetta D. 7.5x23.0x0.5	3
36	59.211082	Guarnizione spugna D. 3x103	1
37	59.010022	Carter pompa	1
38	58.210451	Protezione	1
39	90.156550	Anello rad. D. 15.0x24.0x5.0/7.0	271
40	59.050066	Guida pistone	3
41	97.739900	Spinotto D. 14x34	3
42	59.030001	Biella completa	3
43	99.309900	Vite serraggio biella	6
44	59.150022	Coperchio laterale lato spia	1
45	90.085000	Anello d'arresto J62	1
46	90.391300	OR D. 67.95x2.62 NBR 70SH 3268	2
47	90.409700	OR D. 55.56x3.53 NBR 70SH 159	1
48	44.2118.01	Distanziale con indicatore	1
49	59.020965	Alb. ecc. C.13.0	1
50	90.066700	Anello d'arresto A30	1
51	99.306900	Vite M8x25 UNI5931	4
52	91.837600	Cuscinetto a rulli	1
53	66.1502.74	Coperchio carter	1
54	98.210500	Asta livello olio G 3/8"x51	1
55	90.392200	OR D.133.02x2.62 NBR 70SH 3525	1
56	59.160022	Coperchio posteriore	1

KIT RICAMBI - SPARE KITS					
KIT Nr.	KIT 0269	KIT 0270	KIT 0271	KIT 0286	KIT 0291
Posizioni include Positions included	2 - 3 - 4 - 5 - 6 - 13 14 - 15 - 16 - 17 (7) - (18)	8 - 9 20 - 21	39	23 - 24 25 - 27 29	23 - 24 25 - 26 27 - 29 30
Nr. Pcs.	3	3	3	3	1

POS	COD.	DESCRIZIONE - DESCRIPTION - KIT	NR
57	98.204250	Tappo G1/4"x9 TE Zinc.	1
58	90.358500	OR D. 10.82x1.78 NBR 70SH 2043	1
59	99.303900	Vite M8x UNI 5931	4
60	10.0866.22	Flangia motore elettrico 112 B14	1
61	90.169000	Anello rad. D. 45.0x62.0x8.0	1
62	91.858500	Boccola a rullini	1
63	99.308400	Vite M8x30 UNI5931	4
64	99.306700	Vite M8x25 UNI 5739	4
65	96.701400	Rondella D. 8.4x13.0x0.7	4



E3E2813 E3E2815		PISTON D. 15	
E3E2813 E3E2815		E3E2517 E3E2520	
POS	COD.	DESCRIZIONE - DESCRIPTION - KIT	NR
1	59.1210.41 59.1211.41	Testata pompa D. 13 - NICKEL Testata pompa D. 15 - NICKEL	1
2	36.2025.51	Guida valvola d'aspirazione	269
3	94.7376.00	Molla Dm. 9.4x14.8	269
4	36.2001.76	Valvola sferica	269
5	36.2003.66	Sede valvola d'aspirazione	269
6	90.3841.00	OR D. 17.13x2.62 NBR 70SH 3068	269
7	36.7115.01	Gr. valvola d'aspirazione	269
8	90.3847.00	OR D. 20.29x2.62 NBR 90SH 3081	292
9	98.2225.00	Tappo M24x1.5x16.7 - NICKEL	292
10	99.1690.00	Vite M 5x55	3
11	96.6905.00	Rosetta D. 5.0x11.5x0.4	3
12	58.0400.09 58.0401.09	Pistone D. 13x42 Pistone D. 15x42	3
13	90.3674.00	OR D. 12.00x2.00 NBR 70SH	269
14	36.2113.66	Sede valvola di mandata	269
15	36.2112.76	Valvola sferica	269
16	94.7333.00	Molla Dm. 6.2x10.4	269
17	36.2111.51	Guida valvola di mandata	269
18	36.7193.01	Gr. valvola di mandata	269
19	98.1967.00	Tappo G 1/8"x8	1
20	90.3593.00	OR D. 15.60x1.78 NBR 70SH 2062	292
21	98.2137.50	Tappo M18x1.5x10 D.23 - D. 12	292
22	99.3177.00	Vite M 8x60 UNI 5931	8

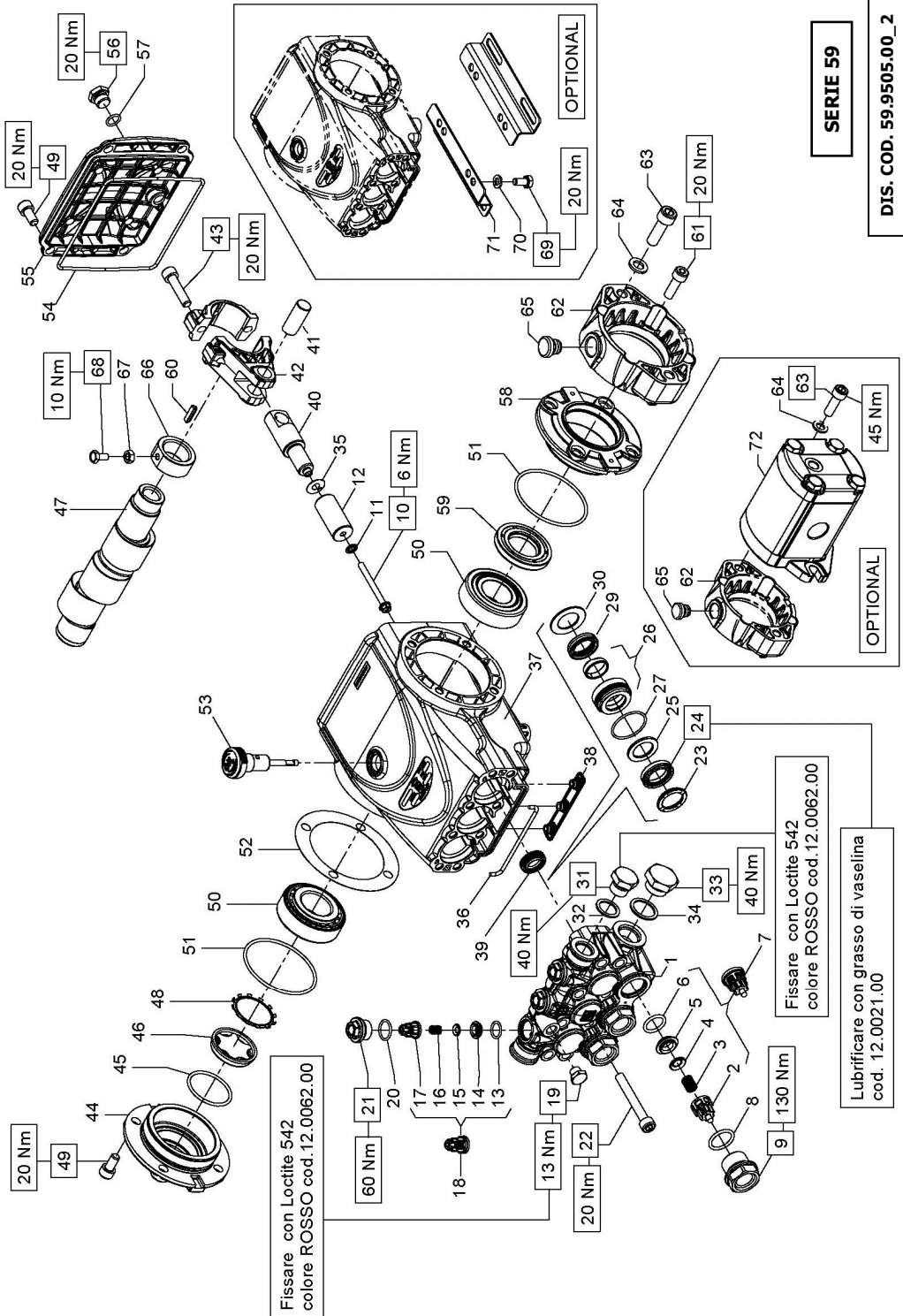
KIT RICAMBI - SPARE KITS				
KIT Nr.	KIT 0269	KIT 0292	KIT 0271	NR
Posizioni incluse Positions included	2 - 3 - 4 5 - 6 - 13 14 - 15 - 16 17 - (7) - (18)	8 - 9 20 - 21	39	
Nr. Pcs.	3	3	3	

PISTONE - PISTON D. 13		PISTONE - PISTON D. 15	
KIT 0282	KIT 0287	KIT 0283	KIT 0288
23 - 24 25 - 27 29	23 - 24 25 - 26 27 - 29 30	23 - 24 25 - 27 29	23 - 24 25 - 26 27 - 29 30
3	1	3	1

PISTON D. 13		PISTON D. 15	
E3E2813 E3E2815		E3E2517 E3E2520	
POS	COD.	DESCRIZIONE - DESCRIPTION - KIT	NR
45	90.0850.00	Anello d'arresto J62	1
46	90.3913.00	OR D. 67.95x2.62 NBR 70SH 3268	2
47	90.4097.00	OR D. 55.56x3.53 NBR 70SH 159	1
48	44.2118.01	Distanziale con indicatore	1
49	59.0204.65 59.0205.65 59.0206.65	Alb. ecc. C 13.0 - E3E2815 Alb. ecc. C 12.0 - E3E2520 Alb. ecc. C.10.0 - E3E2517 E3E2813	1
50	90.0667.00	Anello d'arresto A30	1
51	99.3069.00	Vite M 8x25 UNI 5931	4
52	91.8376.00	Cuscinetto a rulli	1
53	66.1502.74	Coperchio anteriore carter	1
54	98.2105.00	Asta livello olio G 3/8"x51	1
55	90.3922.00	OR D.133.02x2.62 NBR 70SH 3525	1
56	59.1600.22	Coperchio posteriore carter	1
57	98.2042.50	Tappo G 1/4"x9 TE17 - Zinc.	1
58	90.3585.00	OR D. 10.82x1.78 NBR 70SH 2043	1
59	99.3039.00	Vite M 8x16 UNI 5931	4
60	10.0801.22	Flangia motore a scoppio C1"	1
61	99.1790.00	Vite M 6x6 UNI 5929	1
62	90.1690.00	Anello rad. D. 45.0x62.0x8.0	1
63	91.8585.00	Boccola a rullini D. 50x58x25	1
64	99.3084.00	Vite M 8x30 UNI 5931	4
65	99.3346.00	Vite 3/8"-16x1-1/4"	4
66	96.7104.00	Rosetta D. 10.5x16.0x1.0	4

PISTON D. 13		PISTON D. 15	
E3E2813 E3E2815		E3E2517 E3E2520	
POS	COD.	DESCRIZIONE - DESCRIPTION - KIT	NR
23	44.1002.51 63.1010.51	Anello di testa D. 13 Anello di testa D. 15	282 287 283 288
24	90.2602.00	An. ten.alt. D. 13.0x21.0x4.0 HP	282 287 283 288
	90.2611.00	An. ten.alt. D. 15.0x24.0x5.0/3.4 HP	282 287 283 288
25	90.5076.50 90.5089.90	Anello antiest. D. 13x21x4 Anello antiest. D. 15x24x2	282 287 283 288
26	59.6058.01 59.6059.01	Gr. supp. guarn./bussola D. 13 Gr. supp. guarn./bussola D. 15	287 288
27	90.3612.00	OR D. 31.47x1.78 NBR 70SH 2125	282 287 287 288
29	90.2601.00 90.2608.00	An. ten. alt. D. 13.0x20.0x5.0 LP An. ten. alt. D. 15.0x22.0x5.0 LP	282 287 283 288
30	59.2105.70 59.2106.70	Anello per tenuta D. 13 Anello per tenuta D. 15	287 288
31	98.2099.00	Tappo G 3/8"x13	1
32	96.7380.00	Rosetta D. 17.5x23.0x1.5	1
33	98.2179.00	Tappo G 1/2"x10	1
34	96.7514.00	Rosetta D. 21.5x27.0x1.5	1
35	96.6990.00	Rosetta D. 7.5x23.0x0.5	3
36	59.2110.82	Guarnizione spugna D. 3x103	1
37	59.0100.22	Carter pompa	1
38	58.2104.51	Protezione	1
39	90.1565.50	Anello rad. D. 15.0x24.0x5.0/7.0	271
40	59.0500.66	Guida pistone	3
41	97.7399.00	Spinotto D. 14x34	3
42	59.0300.01	Biella completa	3
43	99.3099.00	Vite serraggio biella	6
44	47.1500.22	Coperchio laterale lato spia	1

**VERSION I (for hydraulic motors SAE A)**



**SERIE 59**

**DIS. COD. 59.9505.00\_2**

Fissare con Loctite 542 colore ROSSO cod.12.0062.00

Fissare con Loctite 542 colore ROSSO cod.12.0062.00

Lubrificare con grasso di vaselina cod. 12.0021.00

OPTIONAL

OPTIONAL

<b>E382515 E382121</b>	
<b>KIT RICAMBI - SPARE KITS</b>	
<b>KIT 0269</b>	<b>KIT 0292</b>
2 - 3 - 4 - 5 - 6 13 - 14 - 15 - 16 17 - (7) - (18)	8 - 9 20 - 21
3	3
Posizioni incluse	39
Positions included	
Nr. Pcs.	3

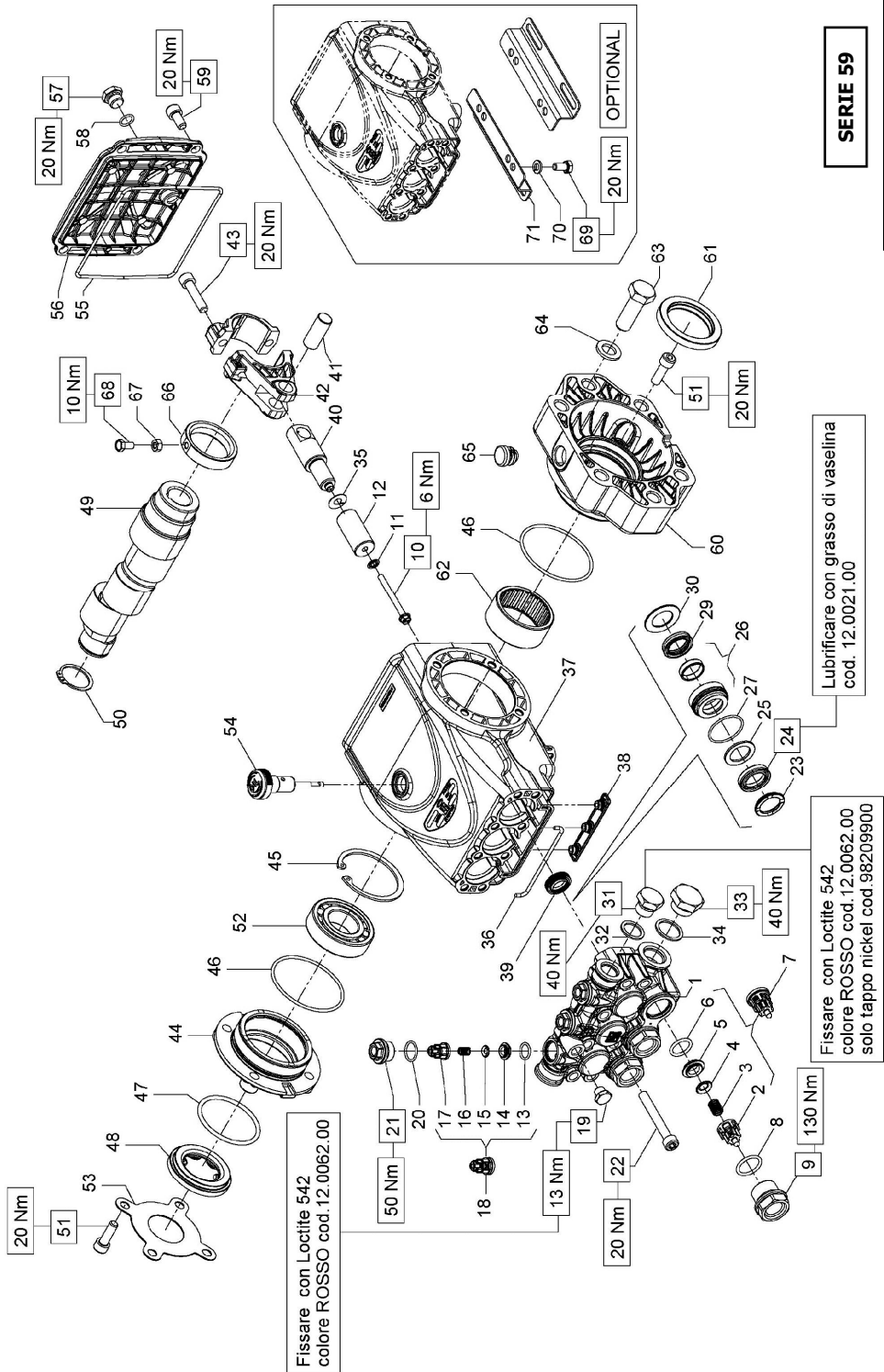
<b>PISTONE - PISTON D. 20</b>		<b>PISTONE - PISTON D. 22</b>	
<b>KIT 0285</b>	<b>KIT 0290</b>	<b>KIT 0286</b>	<b>KIT 0291</b>
23 - 24 25 - 27 29	23 - 24 25 - 26 27 - 29 30	23 - 24 25 - 27 29	23 - 24 25 - 26 27 - 29 30
3	1	3	1
Pos		Pos	

<b>PISTON D. 20</b>		<b>PISTON D. 22</b>	
E382515		E382121	
POS	COD.	DESCRIZIONE - DESCRIPTION - KIT	NR
1	59.1213.41	Testata pompa D. 20 - NICKEL	1
	59.1214.41	Testata pompa D. 22 - NICKEL	
2	36.2025.51	Guida valvola d'aspirazione	269
3	94.7376.00	Molla Dm. 9.4x14.8	269
4	36.2001.76	Valvola sferica	269
5	36.2003.66	Sede valvola d'aspirazione	269
6	90.3841.00	OR D. 17.13x2.62 NBR 70SH 3068	269
7	36.7115.01	Gr. valvola d'aspirazione	269
8	90.3847.00	OR D. 20.29x2.62 NBR 90SH 3081	292
9	98.2225.00	Tappo M 24.0x1.5x16.7	292
10	99.1690.00	Vite M 5x55	3
11	96.6905.00	Rosetta D. 5.0x11.5x0.4	3
12	59.0400.09	Pistone D. 20x42	3
	59.0401.09	Pistone D. 22x42	
13	90.3674.00	OR D. 12.00x2.00 NBR 70SH	269
14	36.2113.66	Sede valvola di mandata	269
15	36.2112.76	Valvola sferica	269
16	94.7333.00	Molla Dm. 6.2x10.4	269
17	36.2111.51	Guida valvola di mandata	269
18	36.7193.01	Gr. valvola di mandata	269
19	98.1967.00	Tappo G 1/8"x8	1
20	90.3593.00	OR D. 15.60x1.78 NBR 70SH 2062	292
21	98.2137.50	Tappo M18x1.5x10 D.23 - D.12	292
22	99.3177.00	Vite M 8x60 UNI 5931	8
23	66.1007.51	Anello di testa D. 20	285 290
	66.1009.51	Anello di testa D. 22	286 291

POS	COD.	DESCRIZIONE - DESCRIPTION - KIT	NR
24	90.2691.00	An. ten. alt. D. 20.0x30.0x6.0/3.7 HP	285 290
	90.2716.00	An. ten. alt. D. 22.0x32.0x6.0/3.7 HP	286 291
25	90.5134.00	An. antieost. D. 20.0x30.0x2.0	285 290
	90.5148.50	An. antieost. D. 22.0x32.0x2.0	286 291
26	59.6061.01	Gr. supp. guarn./bussola D. 20	290
	59.6062.01	Gr. supp. guarn./bussola D. 22	291
27	90.3612.00	OR D. 31.47x1.78 NBR 70SH 2125	285 286 290 291
29	90.2715.00	An. ten. alt. D. 20.0x28.0x6.5 LP	285 290
	90.2715.00	An. ten. alt. D. 22.0x30.0x6.5 LP	286 291
30	59.2108.70	Anello per tenuta D. 20	290
	59.2109.70	Anello per tenuta D. 22	291
31	98.2099.00	Tappo G 3/8"x13	1
32	96.7380.00	Rosetta D. 17.5x23.0x1.5	1
33	98.2179.00	Tappo G 1/2"x10	1
34	96.7514.00	Rosetta D. 21.5x27.0x1.5	1
35	96.6990.00	Rosetta D. 7.5x23.0x0.5	3
36	59.2110.82	Guarnizione spugna D. 3x103	1
37	59.0100.22	Carte pompa	1
38	58.2104.51	Protezione	1
39	90.1565.50	Anello rad. D. 15.0x24.0x5.0/7.0	271
40	59.0500.66	Guida pistone	3
41	97.7399.00	Spinotto D. 14x34	3
42	59.0300.01	Bielia completa	3
43	99.3099.00	Vite serraggio biella	6
44	47.1512.22	Coperchio laterale lato spia	1
45	90.3877.00	OR D. 39.34x2.62 NBR 70SH 3156	1
46	70.2118.01	Spia livello olio	1

POS	COD.	DESCRIZIONE - DESCRIPTION - KIT	NR
47	59.0207.35	Alb. ecc. C.12.0 - E382515	1
	59.0208.35	Alb. ecc. C.13.0 - E382121	
48	90.0756.00	Anello d'arresto Z145	1
49	99.3039.00	Vite M8x16 UNI5931	8
50	91.8375.00	Cuscinetto a rulli	2
51	90.3913.00	OR D. 67.95x2.62 NBR 70SH 3268	2
52	97.5678.00	Spessore D. 74.5x104.0x0.1	1
	97.5680.00	Spessore D. 74.5x104.0x0.3	
53	98.2105.00	Asta livello olio G 3/8"x51	1
54	90.3922.00	OR D.133.02x2.62 NBR 70SH 3525	1
55	59.1600.22	Coperchio posteriore	1
56	98.2042.50	Tappo G1/4"x9 TE Zinc.	1
57	90.3585.00	OR D. 10.82x1.78 NBR 70SH 2043	1
58	47.1510.22	Coperchio laterale la to PTO	1
59	90.1648.00	Anello rad. D. 30.0x55.0x7.0	1
60	91.4685.00	Linguetta 4,0/4.8x18.0	1
61	99.3069.00	Vite M8x25 UNI 5931	4
62	10.0862.22	Flangia SAE A-2 fori	1
63	99.3686.00	Vite M10x30 5931	2
64	96.7103.00	Rosetta 10.5x18.0x2.0	2
65	90.2065.00	Tappo per oro D. 17 - TTN19	1
66	99.3037.00	Vite M8x16 UNI 5739	4
67	96.7016.00	Rosetta D. 8.4x14.4x2.2	4
68	50.2000.74	Piedino pompa	2
69	95.1070.00	Motore ingr. 026R / S-A cil / G	1

**VERSION Y (for hydraulic motors SAE B)**



Fissare con Loctite 542 colore ROSSO cod.12.0062.00

Fissare con Loctite 542 colore ROSSO cod.12.0062.00 solo tappo nickel cod.98209900

Lubrificare con grasso di vaselina cod. 12.0021.00

**SERIE 59**

**DIS. COD. 59.9508.00\_0**



KIT Nr.	KIT 0269	KIT 0270	KIT 0271	KIT 0285	KIT 0290
Posizioni include Positions included	2 - 3 - 4 - 5 - 6 - 13 14 - 15 - 16 - 17 (7) - (18)	8 - 9 20 - 21	39	23 - 24 25 - 27 29	23 - 24 - 25 26 - 27 - 29 30
Nr. Pcs.	3	3	3	3	1

POS	COD.	DESCRIZIONE - DESCRIPTION - KIT	NR
1	59.1203.41	Testata pompa D. 20	1
2	36.2025.51	Guida valvola d'aspirazione	269
3	94.7376.00	Molla Dm. 9.4x14.8	269
4	36.2001.76	Valvola sferica	269
5	36.2003.66	Sede valvola d'aspirazione	269
6	90.3841.00	OR D. 17.13x2.62 NBR 70SH 3068	269
7	36.7115.01	Gr. valvola d'aspirazione	269
8	90.3647.00	OR D. 20.29x2.62 NBR 90SH 3081	270
9	98.2226.00	Tappo M 24.0x1.5x16.7	270
10	99.1690.00	Vite M 5x55	270
11	96.6905.00	Rosetta D. 5.0x11.5x0.4	270
12	59.0400.09	Pistone D. 20x42	269
13	90.3674.00	OR D. 12.00x2.00 NBR 70SH	269
14	36.2113.66	Sede valvola di mandata	269
15	36.2112.76	Valvola sferica	269
16	94.7333.00	Molla Dm. 6.2x10.4	269
17	36.2111.51	Guida valvola di mandata	269
18	36.7193.01	Gr. valvola di mandata	269
19	98.1966.00	Tappo G 1/8"x8	270
20	90.3593.00	OR D. 15.60x1.78 NBR 70SH 2062	270
21	98.2137.00	Tappo M18x1.5x10 D.23-d.12	270
22	99.3177.00	Vite M 8x60 UNI 5931	285
23	66.1007.51	Anello di testa D. 20	285
24	90.2691.00	An. ten. alt. D. 20.0x30.0x6.0/3.7 HP	285
25	90.5134.00	An. antist. D. 20.0x30.0x2.0	285
26	59.6061.01	Gr. supp. guarn./bussola D. 20	290

KIT RICAMBI - SPARE KITS

KIT Nr.	KIT 0269	KIT 0270	KIT 0271	KIT 0285	KIT 0290
Posizioni include Positions included	2 - 3 - 4 - 5 - 6 - 13 14 - 15 - 16 - 17 (7) - (18)	8 - 9 20 - 21	39	23 - 24 25 - 27 29	23 - 24 - 25 26 - 27 - 29 30
Nr. Pcs.	3	3	3	3	1

POS	COD.	DESCRIZIONE - DESCRIPTION - KIT	NR
27	90.3612.00	OR D. 31.47x1.78 NBR 70SH 2125	285
29	90.2690.00	An. ten. alt. D.20.0x28.0x6.5 LP	285
30	59.2108.70	Anello per tenuta D. 20	290
31	98.2100.00	Tappo G 3/8"x13	1
32	96.7380.00	Rosetta D. 17.5x23.0x1.5	1
33	98.2176.00	Tappo G 1/2"x10	1
34	96.7514.00	Rosetta D. 21.5x27.0x1.5	1
35	96.6990.00	Rosetta D. 7.5x23.0x0.5	3
36	59.2110.82	Guarnizione spugna D. 3x103	1
37	59.0100.22	Carter pompa	1
38	58.2104.51	Protezione	1
39	90.1565.50	Anello rad. D. 15.0x24.0x5.0/7.0	271
40	59.0500.66	Guida pistone	3
41	97.7399.00	Spinotto D. 14x34	3
42	59.0300.01	Biella completa	3
43	99.3099.00	Vite serraggio biella	6
44	59.1500.22	Coperchio laterale lato spia	1
45	90.0850.00	Anello d'arresto J62	1
46	90.3913.00	OR D. 67.95x2.62 NBR 70SH 3268	2
47	90.4097.00	OR D. 55.56x3.53 NBR 70SH 159	1
48	44.2118.01	Distanziale con indicatore	1
49	59.0212.65	Alb. ecc. C.12.0 - E3C1218	1
50	59.0213.65	Alb. ecc. C.13.0 - E3C1021	1
51	90.0667.00	Anello d'arresto A30	1
52	91.8376.00	Cuscinetto a rulli	1
53	66.1502.74	Coperchio carter	1
54	98.2105.00	Asta livello olio G 3/8"x51	1

POS	COD.	DESCRIZIONE - DESCRIPTION - KIT	NR
55	90.3922.00	OR D.133.02x2.62 NBR 70SH 3525	1
56	59.1600.22	Coperchio posteriore	1
57	98.2042.50	Tappo G 1/4"x9 TE Zinc.	1
58	90.3585.00	OR D. 10.82x1.78 NBR 70SH 2043	1
59	99.3039.00	Vite M8x UNI 5931	4
60	10.0871.22	Flangia motore idraulico SAE-B	1
61	90.1690.00	Anello rad. D. 45.0x62.0x8.0	1
62	91.8585.00	Boccola a rullini	1
63	99.4848.00	Vite M14x40 UNI 5739	2
64	96.7282.00	Rondella D. 15.0x24.0x2.5	2
65	90.2065.00	Tappo per foro D. 17 - TTNI9	1
66	71.2289.71	Anello per albero D. 40 H.Pack	1
67	92.2025.00	Dado M6x5	1
68	70.2270.34	Vite M6x12 con incavo completa	1
69	99.3037.00	Vite M8x16 UNI 5739	4
70	96.7016.00	Rosetta D. 8.4x14.4x2.2	4
71	50.2000.74	Piedino pompa	2

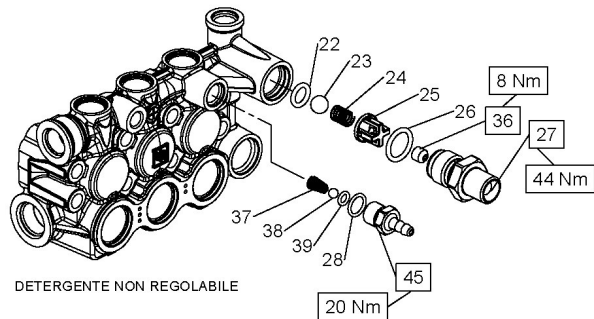
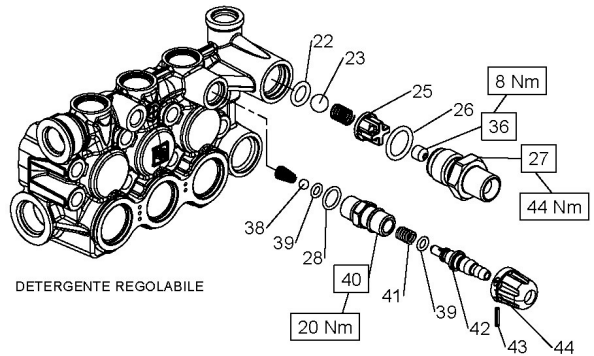
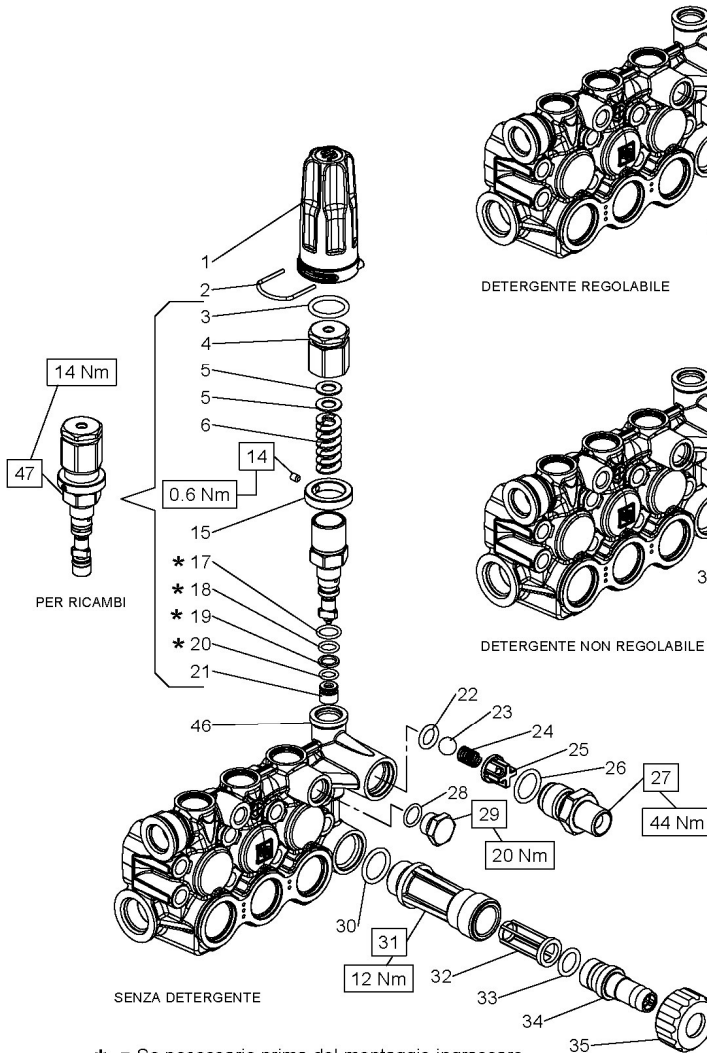
# VH VERSION

VERSIONE CON VALVOLA DI REGOLAZIONE AUT. – VERSION WITH BUILT-IN AUT. UNLOADER  
 VERSION AVEC RÉGULATEUR AUT. DE PRESSION INCORPORÉ  
 AUSFÜHRUNG MIT EINGEAUTEM AUT. DRUCKREGULIERVENTIL

VERSIÓN CON REGULADOR AUT. DE PRESIÓN INCORPORADO - VERSÃO COM VÁLVULA DO REGULAMENTO AUT.

SERIE 59

OPTIONALS



\* = Se necessario prima del montaggio ingrassare.  
 - Usare grasso di vaselina per pompe -

DIS. COD. 36.9548.00\_3

# VH VERSION

**VERSIONE CON VALVOLA DI REGOLAZIONE AUT. – VERSION WITH BUILT-IN AUT. UNLOADER  
 VERSION AVEC RÉGULATEUR AUT. DE PRESSION INCORPORÉ  
 AUSFÜHRUNG MIT EINGEBAUTEM AUT. DRUCKREGULIERVENTIL  
 VERSIÓN CON REGULADOR AUT. DE PRESIÓN INCORPORADO - VERSÃO COM VÁLVULA DO REGULAMENTO AUT.**

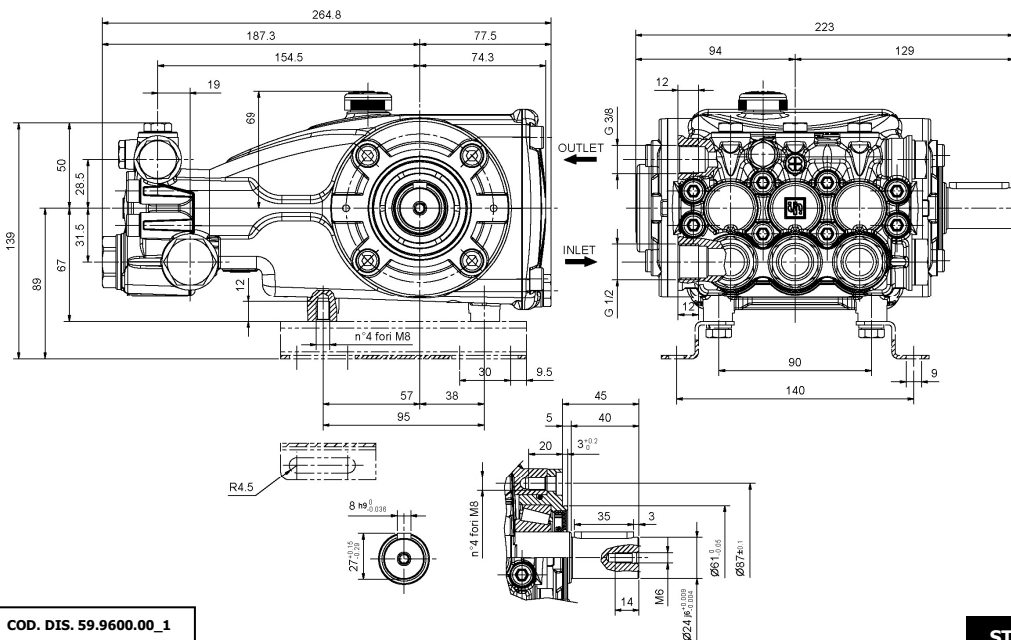
POS	COD.	DESCRIZIONE – DESCRIPTION - KIT	NR
1	36.3506.51	Pomolo di regolazione	1
2	10.0846.66	Forcella per pomolo di regolazione	1
3	90.3845.00	OR D. 18.72x2.62 NBR 70 SH. 3075	1
4	36.3481.70	Registro di pressione	1
5	36.3486.51	Rondella di scorrimento	2
14	99.1267.00	Vite M4x5 UNI 5929	1
15	36.3477.70	Ghiera di pressione massima	1
17	90.3587.00	OR D. 11.11x1.78 NBR 70 SH. 114	1
18	90.3581.00	OR D. 8.73x1.78 NBR 70 SH. 108	1
19	90.5038.00	Anello antiest. D. 9.0x12.0x1.5	1
20	90.3578.00	OR D.7.66x1.78 NBR 70 SH. 2031	1
21	36.3483.66	Sede	1
22	90.3823.00	OR D. 9.92x2.62 NBR 70 SH. 112	278 1
23	97.4838.00	Sfera D. 13/32"	278 1
24	94.7355.00	Molla Dm. 8.5x12.0	278 1
25	36.3104.51	Guida valvola	278 1
26	90.3839.00	OR D. 15.88x2.62 NBR 70 Sh. 121	278 1
27	36.3490.70 36.3489.70 36.3488.70 36.3487.70 36.3479.70	Nipplo 3/8" NPT – F – D. 3 Nipplo G 3/8" – F – D. 3 Nipplo M22x1.5 – D. 3 Nipplo 3/8" NPT – M – D. 3 Nipplo G 3/8" – M – D. 3	1
28	90.3585.00	OR D. 10.82x1.78 NBR 70 Sh. 2043 279 280	1
29	98.2041.00	Tappo G 1/4"x9	1
36	10.0795.66 10.0798.66	Ugello per iniettore D. 2.0 Ugello per iniettore D. 2.2	1
37	94.8217.00	Molla conica Dm. 4.3/7.3x11.0	279 280 1
38	97.4782.00	Sfera D. 7/32"	279 280 1
39	90.3573.00	OR D. 5.28x1.78 NBR 70 Sh. 2021 279 280	2
40	36.3482.70	Sede valvola detergente	279 1
41	94.7334.00	Molla Dm. 6.4x12.5	279 1
42	36.3342.70	Otturatore con portagomma	279 1

POS	COD.	DESCRIZIONE – DESCRIPTION - KIT	NR
43	97.6615.00	Spina D. 2.0x12.0	279 1
44	36.3484.51	Pomolo detergente rosso	279 1
45	36.3492.70	Portagomma	280 1
46	59.1205.41 59.1206.41 59.1207.41 59.1208.41 59.1209.41 59.1215.41 59.1216.41 59.1217.41 59.1218.41 59.1219.41	Testata con valv. integr. D. 13 Testata con valv. integr. D. 15 Testata con valv. integr. D. 18 Testata con valv. integr. D. 20 Testata con valv. integr. D. 22 Testata con valv. integr. D. 13 - NK Testata con valv. integr. D. 15 - NK Testata con valv. integr. D. 18 - NK Testata con valv. integr. D. 20 - NK Testata con valv. integr. D. 22 - NK	1
47	36.6054.01	Frutto valvola con sede	278 1
<b>OPTIONALS</b>			
30	90.3841.00	OR D. 17.13x2.62 NBR 70 Sh. 3068	1
31	36.3182.51	Nipplo aspirazione G 3/4"	1
32	92.8925.00	Filtro D. 12x35	1
33	90.3828.00	OR D. 12.37x2.62 NBR 70 Sh. 3050	1
34	36.2569.51	Portagomma aspirazione	1
35	92.9828.00	Ghiera G 3/4" – D. 15	1

## KIT RICAMBI - SPARE KITS

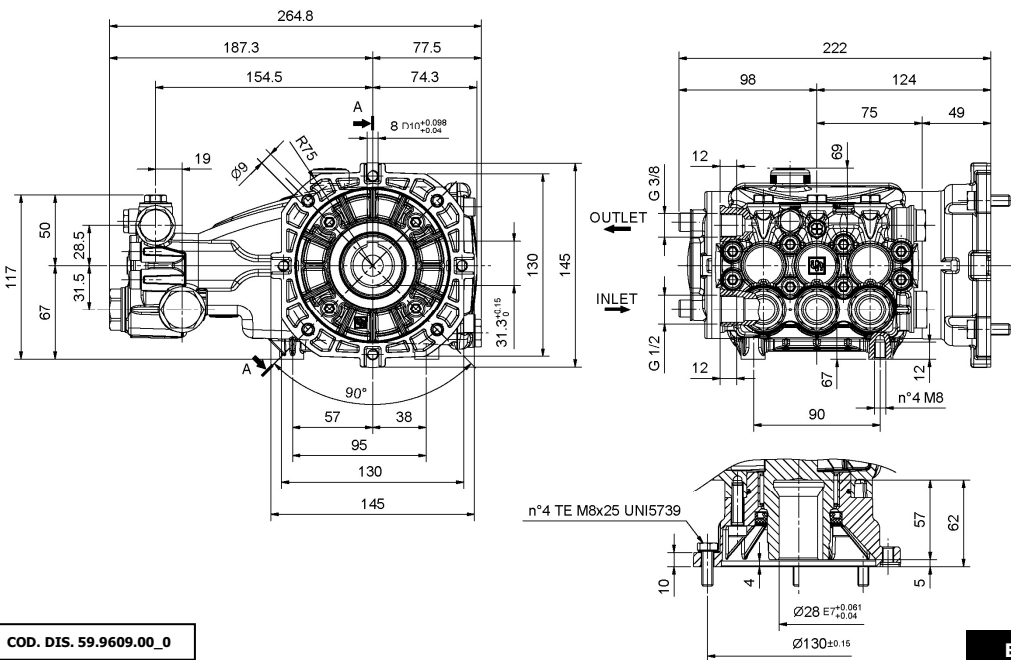
KIT NR.	KIT 278	KIT 279	KIT 280
<b>Posizioni include Positions included</b>	<b>22 - 23 24 - 25 26 - 47</b>	<b>28 - 37 38 - 39 40 - 41 42 - 43 44</b>	<b>28 - 37 38 - 39 45</b>
<b>Nr. Pcs.</b>	<b>1</b>	<b>1+2</b>	<b>1</b>

**DIMENSIONI D'INGOMBRO – OVERALL DIMENSIONS – DIMENSIONS D'ENCOMBREMENT  
RAUMBEDARF – DIMENSIONES TOTALES – DIMENSÕES**



**COD. DIS. 59.9600.00\_1**

**STD.**



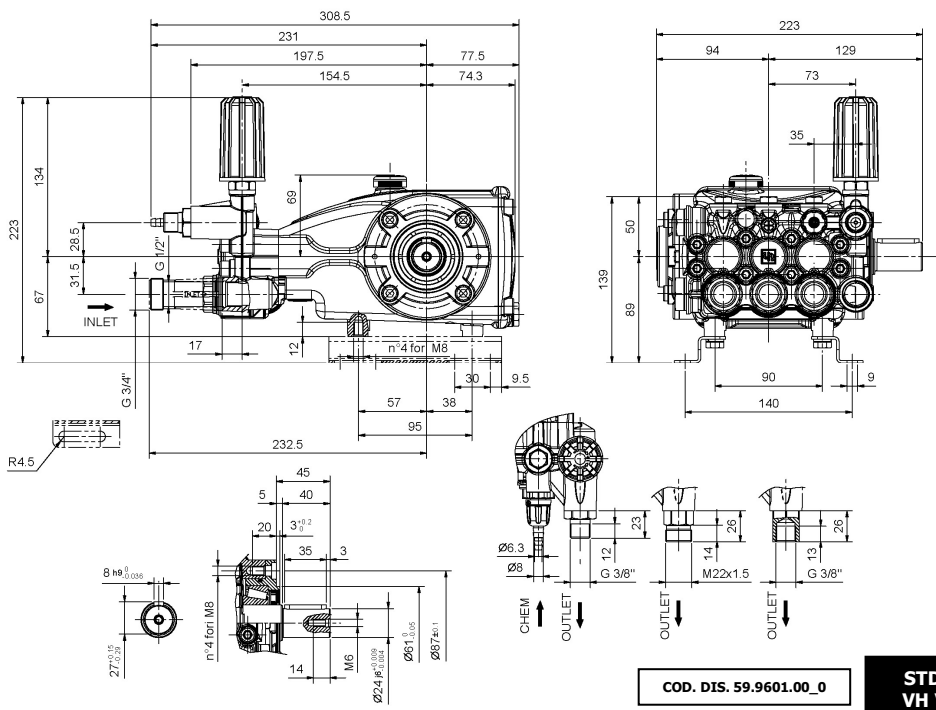
**COD. DIS. 59.9609.00\_0**

**B**



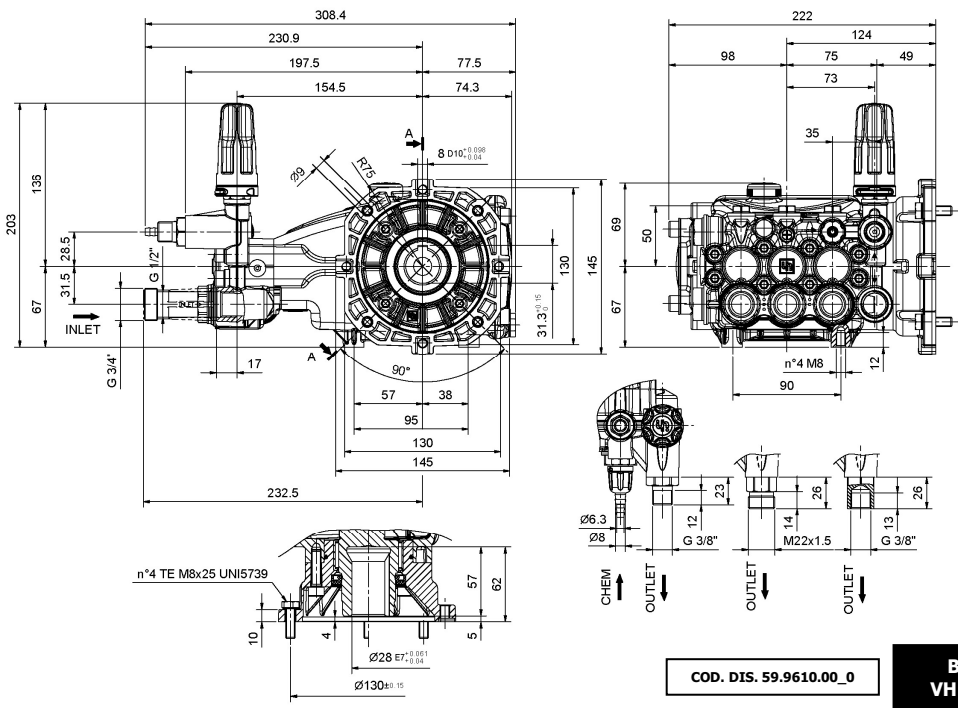


**DIMENSIONI D'INGOMBRO – OVERALL DIMENSIONS – DIMENSIONS D'ENCOMBREMENT  
RAUMBEDARF – DIMENSIONES TOTALES – DIMENSÕES**



**COD. DIS. 59.9601.00\_0**

**STD. - DX  
VH VALVE**



**COD. DIS. 59.9610.00\_0**

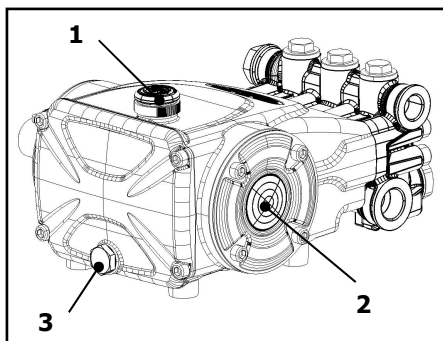
**B - DX  
VH VALVE**





## 1 - CAMBIO OLIO

- 1.1 – Il cambio dell'olio va eseguito con pompa a temperatura di lavoro.
- 1.2 – Posizionare un recipiente sotto il tappo di scarico olio (3).
- 1.3 – Rimuovere il tappo con asta (1) e successivamente il tappo di scarico (3).
- 1.4 – Attendere fino a quando tutto l'olio è uscito, quindi riavvitare il tappo di scarico (3) con la coppia torcente indicata su disegno esploso.
- 1.5 – Riempire con olio nuovo fino al raggiungimento della mezzeria del tappo spia livello olio (2) e riavvitare il tappo con asta (1) .



**Per il tipo di olio da utilizzare fare riferimento a quanto indicato sul libretto generico.**



**ATTENZIONE: L'olio esausto deve essere raccolto in recipienti e smaltito negli appositi centri in accordo alla normativa vigente. Non deve essere assolutamente disperso nell'ambiente.**

## 1 – OIL CHANGING

- 1.1 – Oil changing must be done with the pump at operating temperature.
- 1.2 – Put a container under the oil drain plug (3).
- 1.3 – Remove the oil dipstick (1) and then the drain plug (3).
- 1.4 – Wait until all the oil has drained out, then screw the drain plug (3) and tighten at the torque shown in the exploded diagram.
- 1.5 – Fill with new oil until the middle of the oil level indicator (2) is reached, screw by hand the oil dipstick (1).

**Refer to the generic booklet for the type of oil to use.**



**WARNING: The exhaust oil must be collected in receptacles and disposed of at authorised centres as specified by law. It must not be thrown away in the environment.**

## 1 - CHANGEMENT DE L'HUILE

- 1.1 – Le changement de l'huile doit être exécuté avec la pompe à température d'exercice.
- 1.2 – Placer un récipient sous le bouchon de vidange de l'huile (3).
- 1.3 – Enlever le bouchon-jauge (1), puis enlever le bouchon de vidange (3).
- 1.4 – Attendre que toute l'huile soit sortie, puis revisser le bouchon de vidange (3) avec le couple de torsion qui est indiqué sur le dessin éclaté.
- 1.5 – Remplir avec de l'huile neuve jusqu'à la ligne médiane du bouchon indicateur du niveau d'huile (2), et revisser le bouchon-jauge (1).

**Pour le type d'huile à utiliser, se référer à ce qui est indiqué sur la notice générale.**



**ATTENTION : L'huile usée doit être recueillie dans des récipients et éliminée dans les centres prévus à cet effet, conformément à la réglementation en vigueur. Il ne faut absolument pas la jeter dans l'environnement.**

## 1 - ÖLWECHSEL

1.1 – Beim Ölwechsel muss die Pumpe Betriebstemperatur aufweisen.

1.2 – Unter den Ölablassverschluss (3) einen Behälter stellen.

1.3 – Den Verschluss mit dem Stab (1) und danach den Ablassverschluss (3) abnehmen.

1.4 – Warten, bis das gesamte Öl abgelassen ist und den Ablassverschluss (3) mit dem auf der Übersichtszeichnung angegebenen Drehmoment wieder anschrauben.

1.5 – Mit frischem Öl füllen, bis die Mittellinie des Ölstandkontrollverschlusses (2) erreicht ist und den Verschluss mit dem Stab (1) wieder anschrauben.

**Bezüglich der verwendbaren Ölsorten siehe die Angaben im allgemeinen Handbuch.**



**ACHTUNG: Das Altöl muss in Behältern gesammelt und gemäß den geltenden Vorschriften bei den hierfür vorgesehenen Zentren entsorgt werden. Es darf keinesfalls umweltschädigend entsorgt werden.**

---

## 1 - CAMBIO DE ACEITE

1.1 – El cambio de aceite se efectúa con bomba a temperatura de trabajo.

1.2 – Colocar un recipiente debajo del tapón de descarga de aceite (3).

1.3 – Extraer el tapón con varilla (1) y seguidamente el tapón de descarga (3).

1.4 – Esperar hasta que haya salido todo el aceite, volver a enroscar el tapón de descarga (3) con el par de torsión indicado en el despiece.

1.5 – Llenar con aceite nuevo hasta alcanzar la línea media del tapón indicador de nivel de aceite (2) y volver a enroscar el tapón con varilla (1).

**Para el tipo de aceite que debe utilizarse, remitirse a las indicaciones del manual general.**



**ATENCIÓN: El aceite residual debe recogerse en recipientes y eliminarse en los centros pertinentes de acuerdo con la normativa vigente. En ningún caso debe dispersarse en el ambiente.**

---

## 1 - TROCA DE ÓLEO

1.1 – A troca de óleo deve ser feita com a bomba na temperatura de trabalho.

1.2 – Posicionar um recipiente embaixo da tampa de descarga de óleo (3).

1.3 – Remover a tampa com o pino (1) e, em seguida, a tampa de descarga (3).

1.4 – Esperar que todo o óleo saia, recolocar a tampa de descarga (3) com o binário de torção indicado no desenho explodido.

1.5 – Encher com o óleo novo até chegar na linha da tampa de controle do nível do óleo (2) e recolocar a tampa com o pino (1).

**Para o tipo de óleo a ser utilizado, consultar as indicações do livro genérico.**



**ATENÇÃO: O óleo consumido deve ser coletado em recipientes e eliminado nos locais adequados, de acordo com a normativa vigente. Não deve, de modo algum, ser jogado no ambiente.**

**DICHIARAZIONE DI INCORPORAZIONE**  
(Ai sensi dell'allegato II della Direttiva Europea 2006/42/CE)

Il produttore **INTERPUMP GROUP S.p.A. – Via E. Fermi, 25 – 42049 S. ILARIO D'ENZA (RE) – Italia**  
**DICHIARA** sotto la propria esclusiva responsabilità che il prodotto identificato e descritto come segue:

Denominazione: Pompa  
Tipo: Pompa alternativa a pistoni per acqua ad alta pressione  
Marchio di fabbrica: INTERPUMP GROUP  
Serie: 59  
Modello: E3A1713 E3A1515 E3A2113 E3A2115 E3B1911 E3B1713 E3B1515 E3B1218  
E3B1021 E3B2511 E3B2513 E3B2515 E3B2118 E3B2121 E3C1713 E3C1515  
E3C1218 E3C1021 E3C2513 E3C2515 E3C2518 E3C2521 E3E2813 E3E2815  
E3E2517 E3E2520

Risulta essere conforme alla Direttiva Macchine 2006/42/CE.

Norme applicate: UNI EN ISO 12100:2010 - UNI EN 809:2009

La pompa sopra identificata rispetta i seguenti requisiti essenziali di sicurezza e di tutela della salute elencati nel punto 1 dell'allegato I della Direttiva Macchine:

1.1.1 - 1.1.2 – 1.1.3 – 1.1.5 – 1.1.6 - 1.3.1 – 1.3.2 – 1.3.3 – 1.3.4 – 1.5.4 – 1.6.1 – 1.7.1 – 1.7.2 – 1.7.4 – 1.7.4.1 – 1.7.4.2

e la relativa documentazione tecnica è stata compilata in conformità dell'allegato VII B.

Inoltre il produttore si impegna a rendere disponibile, a seguito di una richiesta adeguatamente motivata, copia della documentazione tecnica pertinente la pompa nei modi e nei termini da definire.

La pompa non deve essere messa in servizio finché l'impianto al quale la pompa deve essere incorporata è stato dichiarato conforme alle disposizioni delle relative direttive e/o norme.

Persona autorizzata a costituire il fascicolo tecnico

Nome: Roberto Menozzi

Indirizzo: INTERPUMP GROUP S.p.A. – Via E. Fermi,  
25 – 42049 S. ILARIO D'ENZA (RE) – Italia

Persona autorizzata a redigere la dichiarazione:

Nome : Ing. Silvio Corrias

Reggio Emilia 02/2021

Firma:



## DECLARATION OF INCORPORATION

(In accordance with Annex II of European Directive 2006/42/CE)

The manufacturer **INTERPUMP GROUP S.p.A. – Via E. Fermi, 25 – 42049 S. ILARIO D'ENZA (RE) – Italy** **DECLARES** under sole responsibility that the product identified and described as follows:

Name: Pump  
Type: Reciprocating plunger pump for high pressure water  
Trademark: INTERPUMP GROUP  
Series: 59  
Model: E3A1713 E3A1515 E3A2113 E3A2115 E3B1911 E3B1713 E3B1515 E3B1218 E3B1021  
E3B2511 E3B2513 E3B2515 E3B2118 E3B2121 E3C1713 E3C1515 E3C1218 E3C1021  
E3C2513 E3C2515 E3C2518 E3C2521 E3E2813 E3E2815 E3E2517 E3E2520

Complies with Machinery Directive 2006/42/EC.

Standards applied: UNI EN ISO 12100:2010 - UNI EN 809:2009

The pump identified above meets all the essential safety and health protection requirements as listed in section 1 of Annex I of the Machinery Directive:

1.1.1 - 1.1.2 – 1.1.3 – 1.1.5 – 1.1.6 - 1.3.1 – 1.3.2 – 1.3.3 – 1.3.4 – 1.5.4 – 1.6.1 – 1.7.1 – 1.7.2 – 1.7.4 – 1.7.4.1 – 1.7.4.2

and the relevant technical documentation has been compiled in accordance with Annex VII B.

In addition, the manufacturer undertakes to make available, following a reasoned request, a copy of the relevant technical pump documentation in the manner and terms to be defined.

The pump should not be put into service until the plant to which the pump is to be incorporated has been declared in accordance with the provisions of the relevant directives and/or standards.

Person authorised to compile the technical file

Name: Roberto Menozzi

Address: INTERPUMP GROUP S.p.A. – Via E. Fermi,  
25 – 42049 S. ILARIO D'ENZA (RE) – Italy

Person authorized to draw up the declaration:

Name : Mr. Silvio Corrias

Reggio Emilia 02/2021

Signature: 

## DÉCLARATION D'INCORPORATION

(Conformément à l'annexe II de la Directive Européenne 2006/42/CE)

Le fabricant **INTERPUMP GROUP S.p.A. – Via E. Fermi, 25 – 42049 S. ILARIO D'ENZA (RE) – Italie**

**DÉCLARE** sous sa seule responsabilité que le produit identifié et décrit comme suit :

Dénomination : Pompe  
Type : Pompe alternative à pistons pour eau à haute pression  
Marque de fabrique : INTERPUMP GROUP  
Séries : 59  
Modèle : E3A1713 E3A1515 E3A2113 E3A2115 E3B1911 E3B1713 E3B1515 E3B1218  
E3B1021 E3B2511 E3B2513 E3B2515 E3B2118 E3B2121 E3C1713 E3C1515  
E3C1218 E3C1021 E3C2513 E3C2515 E3C2518 E3C2521 E3E2813 E3E2815  
E3E2517 E3E2520

Est conforme à la Directive Machines 2006/42/CE.

Normes appliquées : UNI EN ISO 12100:2010 - UNI EN 809:2009

La pompe identifiée ci-dessus répond aux exigences essentielles de sécurité et protection de la santé suivantes énumérées au point 1 de l'annexe I de la Directive Machines :

1.1.1 - 1.1.2 – 1.1.3 – 1.1.5 – 1.1.6 - 1.3.1 – 1.3.2 – 1.3.3 – 1.3.4 – 1.5.4 – 1.6.1 – 1.7.1 – 1.7.2 – 1.7.4 – 1.7.4.1 – 1.7.4.2

et la documentation technique pertinente est constituée conformément à l'annexe VII B.

De plus, le fabricant s'engage à rendre disponible, suite à une demande adéquatement motivée, une copie de la documentation technique relative à la pompe dans les modes et les termes à définir.

La pompe ne doit pas être mise en marche tant que l'installation à laquelle la pompe doit être incorporée n'a pas été déclarée conforme aux dispositions des directives et / ou normes relatives.

Personne autorisée à réaliser le manuel technique

Nom : Roberto Menozzi

Adresse : INTERPUMP GROUP S.p.A. – Via E. Fermi,  
25 – 42049 S. ILARIO D'ENZA (RE) – Italie

Personne autorisée à rédiger la déclaration :

Nom : Ing. Silvio Corrias

Reggio Emilia 02/2021

Signature :



## EINBAUERKLÄRUNG

(gemäß Anhang II der Europäischen Richtlinie 2006/42/EG)

Der Hersteller **INTERPUMP GROUP S.p.A. – Via E. Fermi, 25 – 42049 S. ILARIO D'ENZA (RE) – Italien** **ERKLÄRT** auf alleinige Verantwortung, dass das wie folgt bezeichnete und beschriebene Produkt:

Bezeichnung: Pumpe  
Typ: Kolbenhubpumpe für Hochdruckwasser  
Herstellermarke: INTERPUMP GROUP  
Serie: 59  
Modell: E3A1713 E3A1515 E3A2113 E3A2115 E3B1911 E3B1713 E3B1515 E3B1218  
E3B1021 E3B2511 E3B2513 E3B2515 E3B2118 E3B2121 E3C1713 E3C1515  
E3C1218 E3C1021 E3C2513 E3C2515 E3C2518 E3C2521 E3E2813 E3E2815  
E3E2517 E3E2520

mit der Maschinenrichtlinie 2006/42/EG konform ist.

Angewandte Normen: UNI EN ISO 12100:2010 - UNI EN 809:2009

Die oben genannte Pumpe genügt den folgenden grundlegenden Sicherheits- und Gesundheitsschutzanforderungen, die unter Punkt 1 des Anhangs I der Maschinenrichtlinie aufgeführt sind: 1.1.1 - 1.1.2 – 1.1.3 – 1.1.5 – 1.1.6 - 1.3.1 – 1.3.2 – 1.3.3 – 1.3.4 – 1.5.4 – 1.6.1 – 1.7.1 – 1.7.2 – 1.7.4 – 1.7.4.1 – 1.7.4.2

Die speziellen technischen Unterlagen wurden gemäß Anhang VII Teil B erstellt.

Darüber hinaus verpflichtet sich der Hersteller einzelstaatlichen Stellen auf begründetes Verlangen die speziellen technischen Unterlagen zur Pumpe in festzulegenden Modalitäten und Fristen zu übermitteln.

Die Pumpe darf erst dann in Betrieb genommen werden, wenn gegebenenfalls festgestellt wurde, dass die Maschine, in die die Pumpe eingebaut werden soll, den Bestimmungen der entsprechenden Richtlinien und/oder Normen entspricht.

Person, die bevollmächtigt ist, die relevanten technischen Unterlagen zusammenzustellen: Roberto Menozzi  
Adresse: INTERPUMP GROUP S.p.A. – Via E. Fermi,  
25 – 42049 S. ILARIO D'ENZA (RE) – Italien

Person, die zur Ausstellung dieser Erklärung bevollmächtigt ist: Ing. Silvio Corrias

Reggio Emilia 02/2021

Unterschrift:



## DECLARACIÓN DE INCORPORACIÓN

(De acuerdo con el anexo II de la Directiva Europea 2006/42/CE)

El fabricante **INTERPUMP GROUP S.p.A. – Via E. Fermi, 25 – 42049 S. ILARIO D'ENZA (RE) – Italia** **DECLARA** bajo su propia y exclusiva responsabilidad al producto identificado y descrito del siguiente modo:

Denominación: Bomba  
Tipo: Bomba alternativa con pistones para agua de alta presión  
Marca del fabricante: INTERPUMP GROUP  
Serie: 59  
Modelo: E3A1713 E3A1515 E3A2113 E3A2115 E3B1911 E3B1713 E3B1515 E3B1218  
E3B1021 E3B2511 E3B2513 E3B2515 E3B2118 E3B2121 E3C1713 E3C1515  
E3C1218 E3C1021 E3C2513 E3C2515 E3C2518 E3C2521 E3E2813 E3E2815  
E3E2517 E3E2520

Resulta estar conforme con la Directiva de Máquinas 2006/42/CE.

Normas aplicadas: UNI EN ISO 12100:2010 - UNI EN 809:2009

La bomba identificada anteriormente respeta los siguientes requisitos esenciales de seguridad y de protección de la salud citados en el punto 1 del anexo I de la Directiva de Máquina:

1.1.1 - 1.1.2 – 1.1.3 – 1.1.5 – 1.1.6 - 1.3.1 – 1.3.2 – 1.3.3 – 1.3.4 – 1.5.4 – 1.6.1 – 1.7.1 – 1.7.2 – 1.7.4 – 1.7.4.1 – 1.7.4.2

y la correspondiente documentación técnica ha sido compilada de acuerdo con el anexo VII B.

Además el fabricante se compromete en hacer disponible, después haberse llevado a cabo una solicitud adecuadamente motivada, una copia de la documentación técnica pertinente de la bomba en una modalidad y en un plazo aún por definir.

La bomba no debe ser puesta en funcionamiento, hasta que el sistema al cuál la bomba debe ser incorporada, haya sido declarado conforme a las disposiciones de las respectivas directivas y/o normativas.

Persona autorizada a realizar el fascículo técnico


Nombre: Roberto Menozzi

Dirección: INTERPUMP GROUP S.p.A. – Via E. Fermi,  
25 – 42049 S. ILARIO D'ENZA (RE) – Italia

Persona autorizada a redactar la declaración:

Nombre : Ing. Silvio Corrias

Reggio Emilia 02/2021

Firma: 

## DECLARAÇÃO DE INCORPORAÇÃO

(Nos termos do anexo II da Directiva Europeia 2006/42/CE)

O fabricante **INTERPUMP GROUP S.p.A. – Via E. Fermi, 25 – 42049 S. ILARIO D'ENZA (RE) – Itália** **DECLARA** sob a sua exclusiva responsabilidade que o produto identificado e descrito tal como se segue:

Denominação: Bomba  
Tipo: Bomba alternativa com pistões para água a alta pressão  
Marca de fábrica: INTERPUMP GROUP  
Series: 59  
Modelo: E3A1713 E3A1515 E3A2113 E3A2115 E3B1911 E3B1713 E3B1515 E3B1218  
E3B1021 E3B2511 E3B2513 E3B2515 E3B2118 E3B2121 E3C1713 E3C1515  
E3C1218 E3C1021 E3C2513 E3C2515 E3C2518 E3C2521 E3E2813 E3E2815  
E3E2517 E3E2520

Está em conformidade com a Directiva Máquinas 2006/42/CE.

Normas aplicadas: UNI EN ISO 12100:2010 - UNI EN 809:2009

A bomba acima identificada respeita os seguintes requisitos essenciais de segurança e de tutela da saúde, referidos no ponto 1 do anexo I da Directiva Máquinas:

1.1.1 - 1.1.2 – 1.1.3 – 1.1.5 – 1.1.6 - 1.3.1 – 1.3.2 – 1.3.3 – 1.3.4 – 1.5.4 – 1.6.1 – 1.7.1 – 1.7.2 – 1.7.4 – 1.7.4.1 – 1.7.4.2

e a respectiva documentação técnica foi compilada em conformidade com o anexo VII B.

Além disso, o fabricante compromete-se a disponibilizar, mediante pedido adequadamente motivado, uma cópia da documentação técnica referente à bomba, em modos e termos a definir.

A bomba não deve ser colocada em funcionamento até que o sistema no qual tem de ser incorporada seja declarado em conformidade com as disposições das respectivas directivas e/ou normas.

Pessoa autorizada a compilar a documentação técnica Nome: Roberto Menozzi

Morada: INTERPUMP GROUP S.p.A. – Via E. Fermi,  
25 – 42049 S. ILARIO D'ENZA (RE) – Itália

Pessoa autorizada a redigir a declaração: Nome : Eng.º Silvio Corrias

Reggio Emilia 02/2021

Assinatura:











**COPYRIGHT** Il contenuto di questo libretto è di proprietà di INTERPUMP GROUP, ne è vietata la riproduzione e/o la divulgazione, anche parziale, a termini di legge.

**COPYRIGHT** The contents of this booklet are the property of INTERPUMP GROUP. Reproduction and divulgation, in whole or in part, are prohibited by law.

**COPYRIGHT** Le contenu de cette notice appartient à INTERPUMP GROUP : aux termes de la loi il est interdit de le reproduire et/ou de le divulguer, même partiellement.

**COPYRIGHT** Der Inhalt dieser Bedienungsanleitung ist Eigentum von INTERPUMP GROUP. Die auch nur teilweise Reproduktion und/oder Verbreitung ist gesetzlich verboten.

**COPYRIGHT** El contenido del presente manual es propiedad de INTERPUMP GROUP y está legalmente prohibida su reproducción y/o divulgación parcial o total.

**COPYRIGHT** O conteúdo deste livro é de propriedade da INTERPUMP GROUP, e é proibida a sua reprodução e/ou a sua divulgação, mesmo parcial, nos termos da lei.

---

**Le informazioni presenti su questo documento possono essere variate senza preavviso.**

**The information contained in this document may change without notice.**

**Les informations présentes sur ce document peuvent être changées sans besoin de préavis.**

**Die in diesem Dokument enthaltenen Informationen können ohne Vorankündigung geändert werden.**

**La información contenida en el presente documento puede modificarse sin previo aviso.**

**As informações contidas neste documento poderão ser sujeitas a alterações sem aviso prévio.**

---



**INTERPUMP  
GROUP**

**AZIENDA CON SISTEMA  
DI GESTIONE QUALITÀ  
CERTIFICATO DA DNV  
= ISO 9001 =**

VIA FERMI, 25 42049 S.ILARIO – REGGIO EMILIA (ITALY)  
TEL.+39 – 0522 - 904311 TELEFAX +39 – 0522 – 904444  
E-mail: [info@interpumpgroup.it](mailto:info@interpumpgroup.it) - <http://www.interpumpgroup.it>